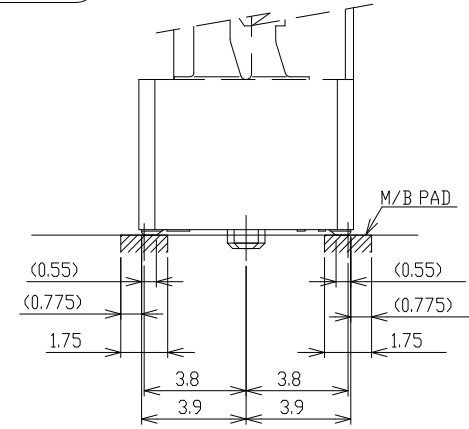
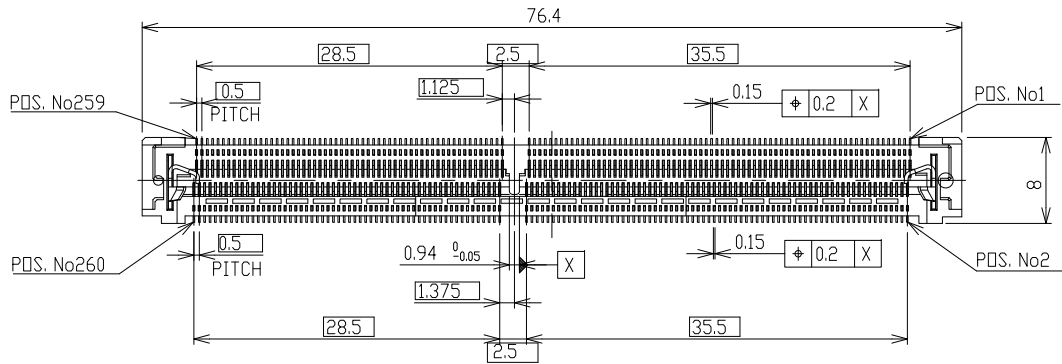


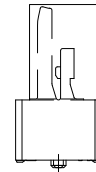
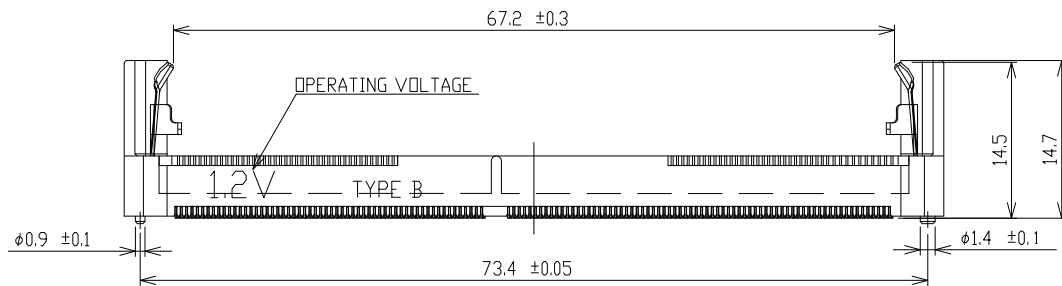
# CONCEPT DRAWING

REV.	DESCRIPTION	DATE	DWG.	CHKD
0	PROPOSED	'15.02.10	B.K	T.H

## LEAD FREE

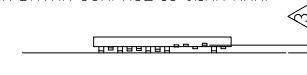


SOLDERING DIM



### NOTES.

- MATERIAL: HOUSING: LCP, UL94V-0, COLOR: BLACK  
CONTACT: PHOS-BRO  
METAL LATCH: SUS
  - PLATING: CONTACT (CONTACT POINT, SOLDER TAIL)  
GOLD FLASH, Ni UNDER PLATE
- △ MUST BE MEASURED FLOATING AMOUNT OF CONTACT TAILS FROM DATUM SURFACE IS 0.1mm MAX.

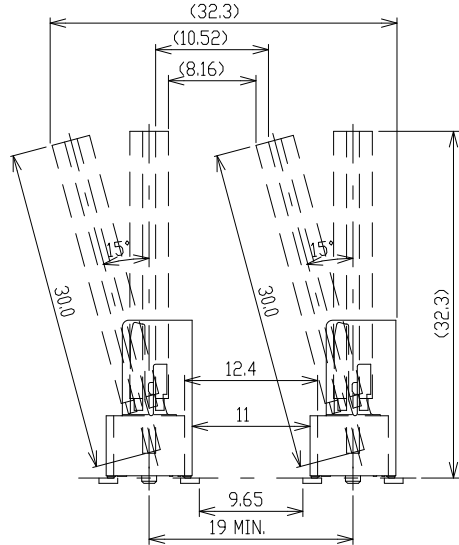


1.2V	TYPE B (RVS)	CA1078-260B02	CA1078-260B32
POWER SUPPLY	KEY TYPE	PART NO. OF CONNECTOR	PART NO. OF PACKAGED PRODUCT (WITH TARY)

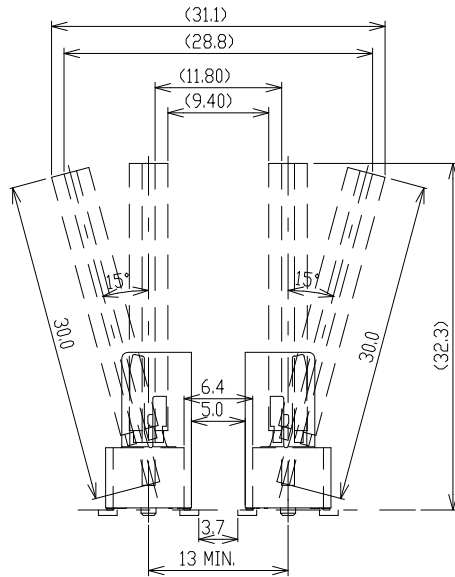
MATERIAL	SEE NOTE	NET WEIGHT	*** g	COLOR	SEE NOTE	GENERAL TOLERANCE	±0.2 ±3°	UNIT: mm
FIN. & TREAT	SEE NOTE	GROSS WEIGHT	*** g	SCALE	2:1	SIZE	A3	
CUSTOMER	*****	PART NO.	CA1078-260B**			REV.	0	A
CUSTOMER PART NO.	*****	PROPOSAL NO.	****-***-**-**			REV.	*	
<b>美星鴻科技股份有限公司</b> <b>MSH TECHNOLOGY, INC.</b>						(SHEET 1 OF 4)		
APP.	'15.02.10	DRW	'15.02.10	CHK.	'15.02.10	DDR4 S.O DIMM SOCKET VERTICAL		
T.HASHIMOTO		T.HASHIMOTO		B.KA		TYPE B FOR 260PIN DDR S.O DIMM		

# CONCEPT DRAWING

REV.	DESCRIPTION	DATE	DWG.	CHKD
SEE SHEET 1 OF 4				

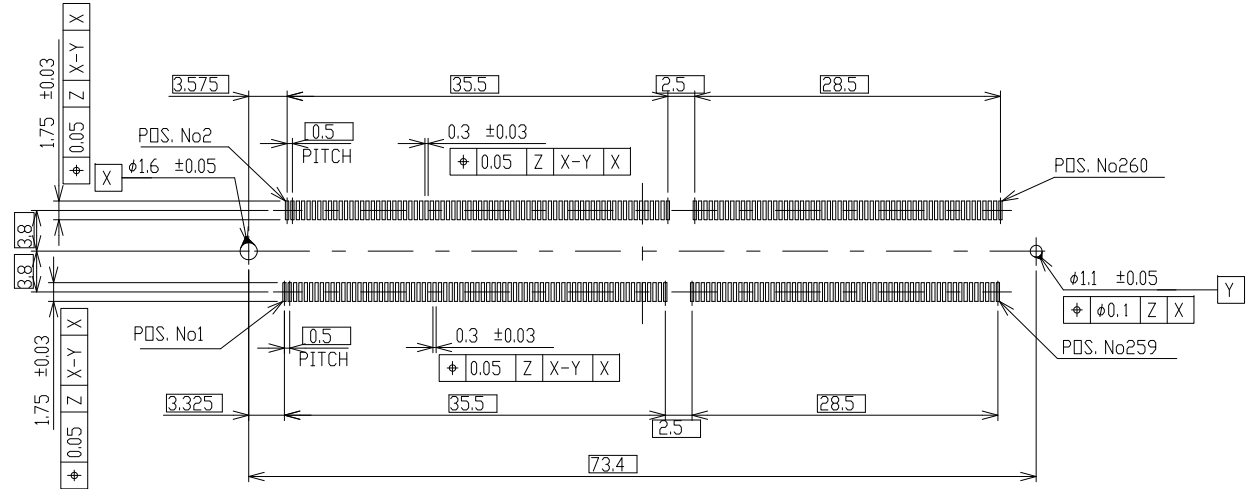


(CA1078+CA1078)



(CA1046+CA1078)

RECOMMENDED SOCKET MOUNTING LAYOUT



RECOMMENDED MOUNTING P.C. BOARD PATTERN LAYOUT DIM.

NOTES.

- 1 TOLERANCE ON DIMENSIONS IS ±0.15 UNLESS OTHERWISE SPECIFIED.
- 2 A pcb side be DETAM \*Z\*.

MATERIAL	SEE NOTE	NET WEIGHT	*** g	COLOR	SEE NOTE	GENERAL TOLERANCE	±0.15 ± 3°	UNIT: mm
FIN. TREAT	SEE NOTE	GROSS WEIGHT	*** g	SCALE	2:1	SIZE	A3	
CUSTOMER	*****	PART NO.	CA1078-260B**			REV.	0	A
CUSTOMER PART NO.	*****	PROPOSAL NO.	****-***-**-**			REV.	*	
美星鸿科技股份有限公司 MSH TECHNOLOGY, INC.						(SHEET 2 OF 4)		
APP.	'15.02.10	DRG.	'15.02.10	CHK.	'15.02.10	DDR4 S.O DIMM SOCKET VERTICAL		
T.HASHIMOTO	T.HASHIMOTO	B.KA				TYPE B FOR 260PIN DDR S.O DIMM		

6

5

4

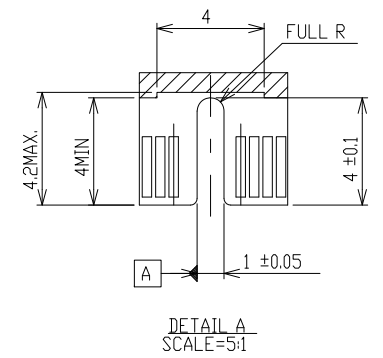
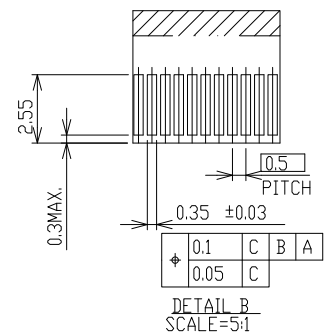
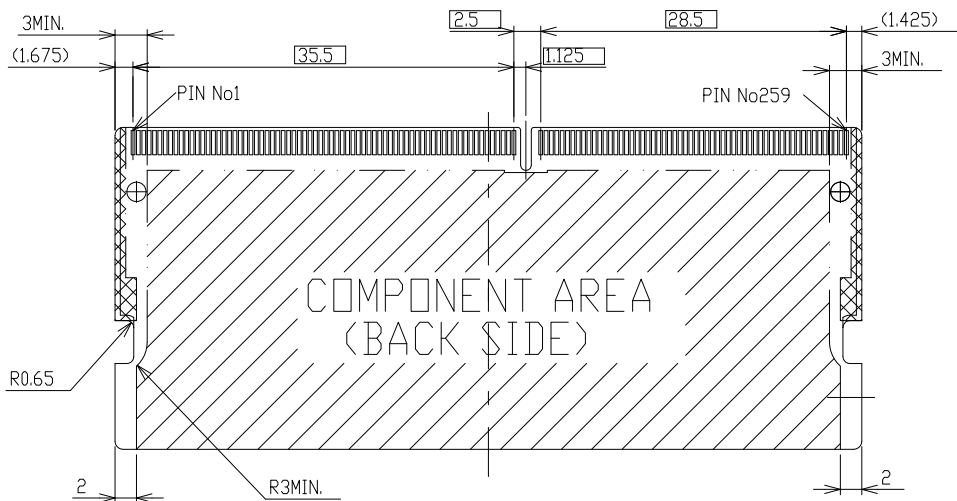
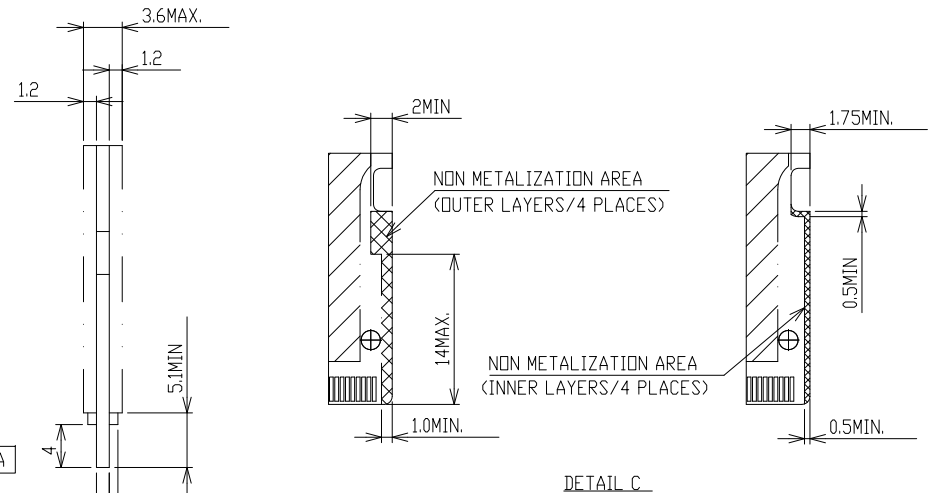
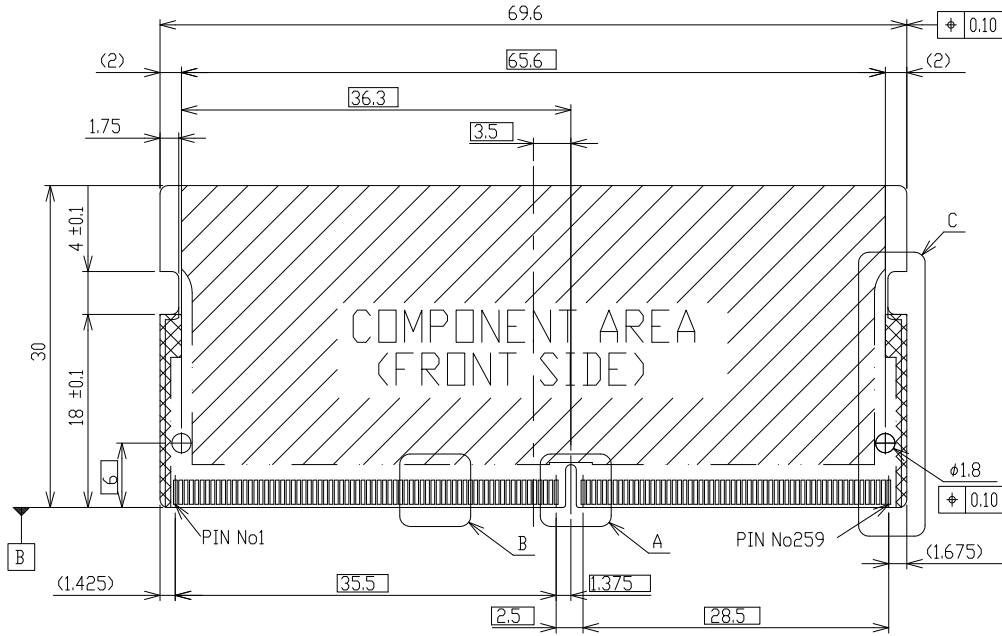
3

2

1

# CONCEPT DRAWING

REV.	DESCRIPTION	DATE	DWG.	CHKD
SEE SHEET 1 OF 4				



NOTES.  
 △ TOLERANCE ON DIMENSIONS IS ±0.15 UNLESS OTHERWISE SPECIFIED.

NOTE	FINISH	PART NO.	NAME		NO.
MATERIAL *****	NET WEIGHT *****	COLOR *****	GENERAL TOLERANCE ±0.15 ±3°	UNIT:mm	A
FIN. TREAT *****	GROSS WEIGHT *****	SCALE 2:1	SIZE A3	UNIT:mm	
CUSTOMER *****	PART NO. CA1078-260B**	REV. 0	(SHEET 3 OF 4)		
CUSTOMER PART NO. *****	PROPOSAL NO. ****-**-**-**	REV. *			
美星鸿科技股份有限公司 MSH TECHNOLOGY, INC.			NAME		
APP: '15.02.10 T.HASHIMOTO	GRD: '15.02.10 T.HASHIMOTO	CHK: '15.02.10 B.KA	DDR4 S.O DIMM SOCKET VERTICAL		
			TYPE B FOR 260PIN DDR S.O DIMM		