

6

5

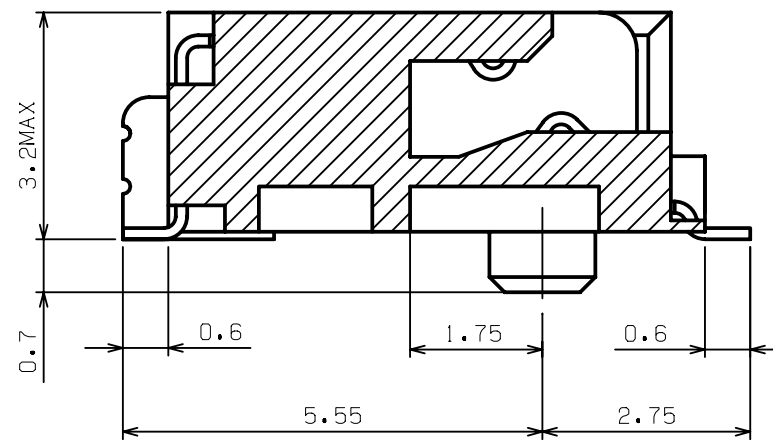
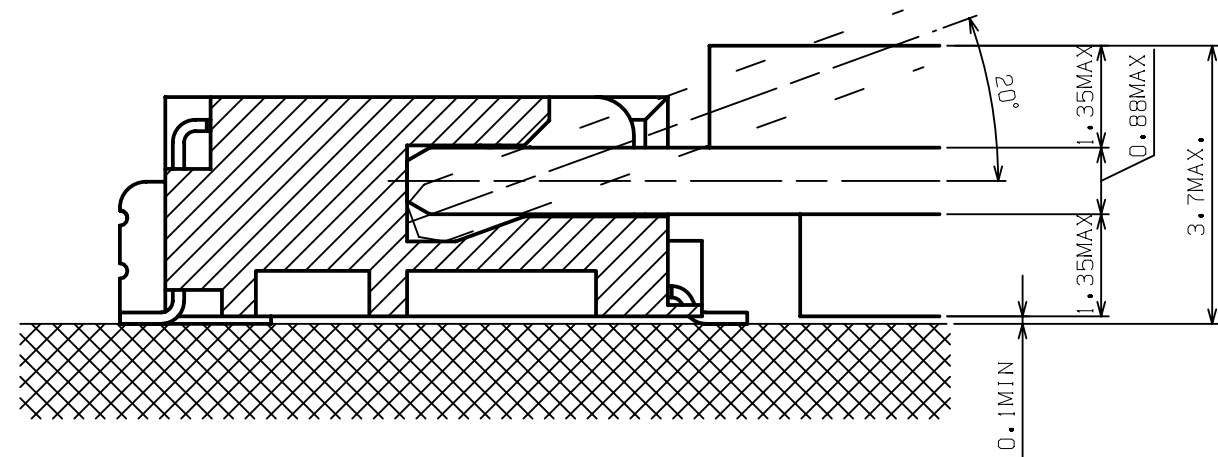
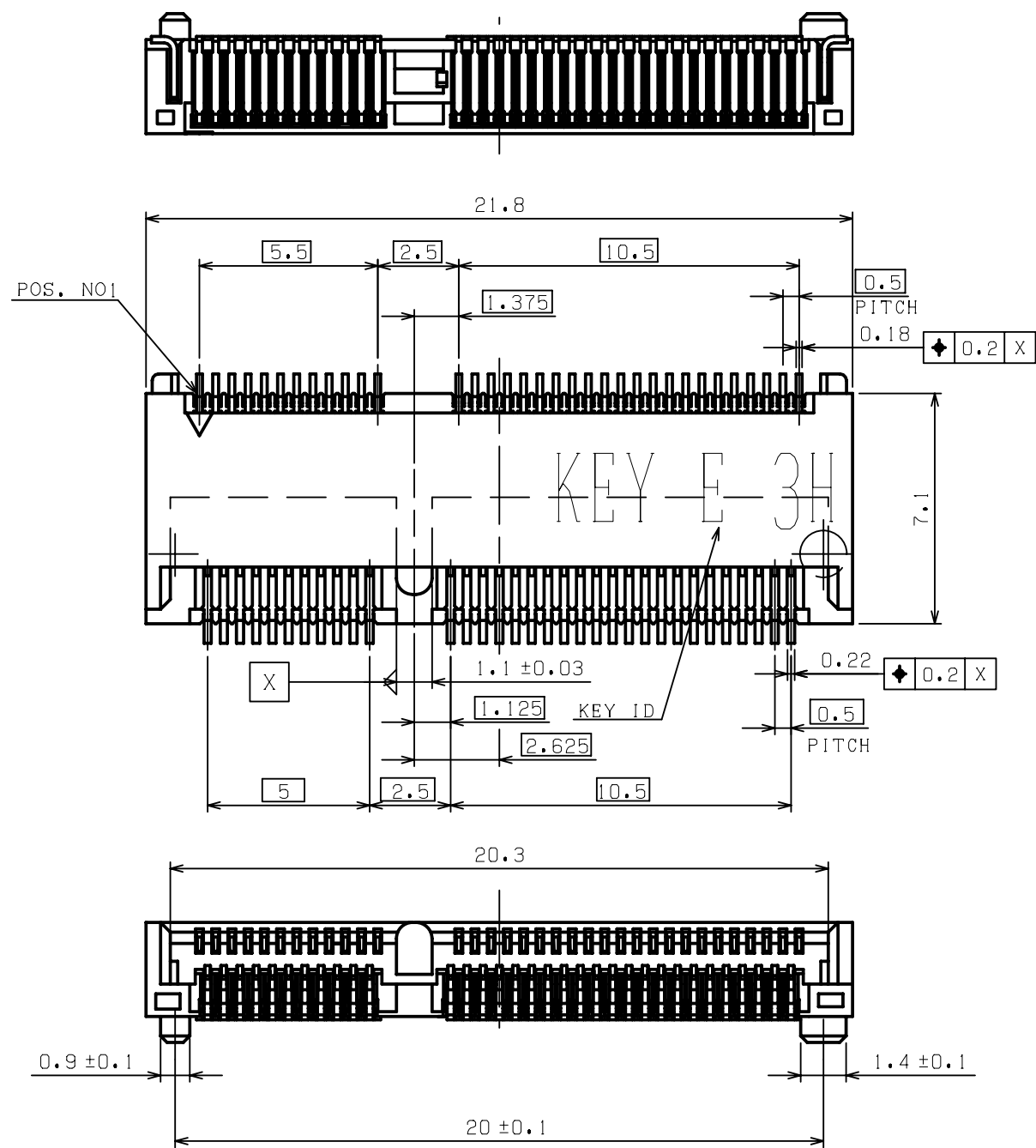
4

3

2

1

REV.	DESCRIPTION	DATE	DWG.	CHKD
0	PROPOSED	13/10/07	B.K	T.H



KEY E	Au:30μ"	CA1022-067B03
	Au:15μ"	CA1022-067B02
KEY ID	GOLD FLASH	CA1022-067B01
	FINISH	PART NO.

NOTES:

- MATERIAL:  
HOUSING: HIGH TEMPERATURE THERMO PLASTIC UL94V-0  
TERMINAL: COPPER ALLOY  
SOLDER PEG: COPPER ALLOY
- FINISH:  
TERMINAL:  
CONTACT AREA: SEE CHARTS  
SOLDERING AREA: SEE CHARTS  
UNDER PL.: NICKEL PL. 50 μ" THK MIN.
- THIS PRODUCT DOESN'T CONTAIN ENVIRONMENTAL HAZARDOUS PER DIRECTIVE 2002/95/EC FOR RoHS COMPLIANT.

FINISH		NAME		PART NO.	
MATERIAL	NET WEIGHT	COLOR	GENERAL TOLERANCE	UNIT:mm	
*****	***g	BLACK	±0.2 ±3°	UNIT:mm	
FIN.&TREAT	GROSS WEIGHT	SCALE	SIZE		
*****	***g	5:1	A3		
CUSTOMER	PART NO.	REV.		A	
*****	CA1022-067B**	0		A	
CUSTOMER PART NO.	PROPOSAL NO.	REV.		*	
*****	****-***-**-**	*		*	
美星鴻科技股份有限公司 MSH TECHNOLOGY INC.		NAME		(SHEET 1 OF 4)	
APP. 13/10/07 CHKD 13/10/07 DWG. 13/10/07 T.HASHIMOTO T.HASHIMOTO B.KA		NGFF CONN. 3H KEY ID E TYPE		*****	



6

5

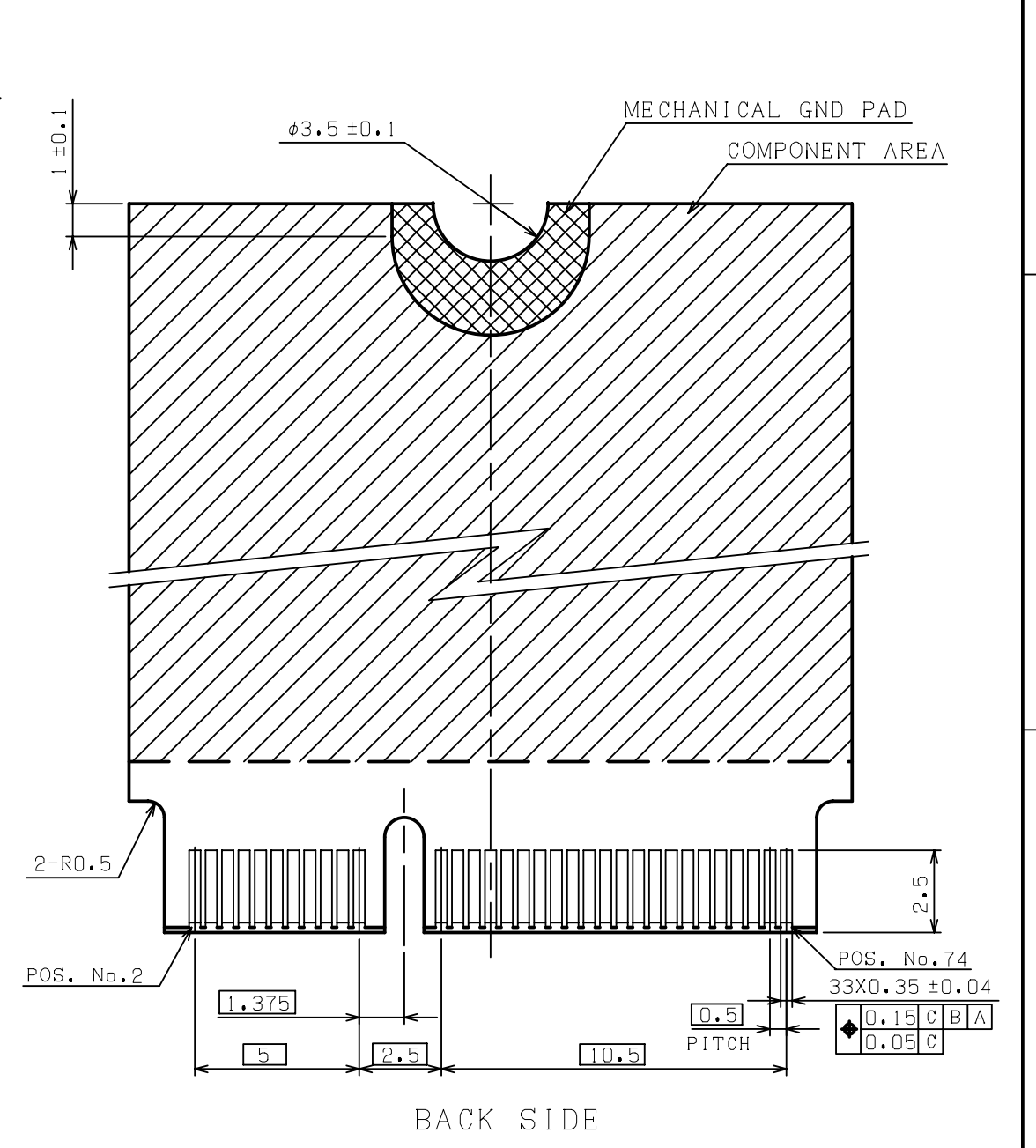
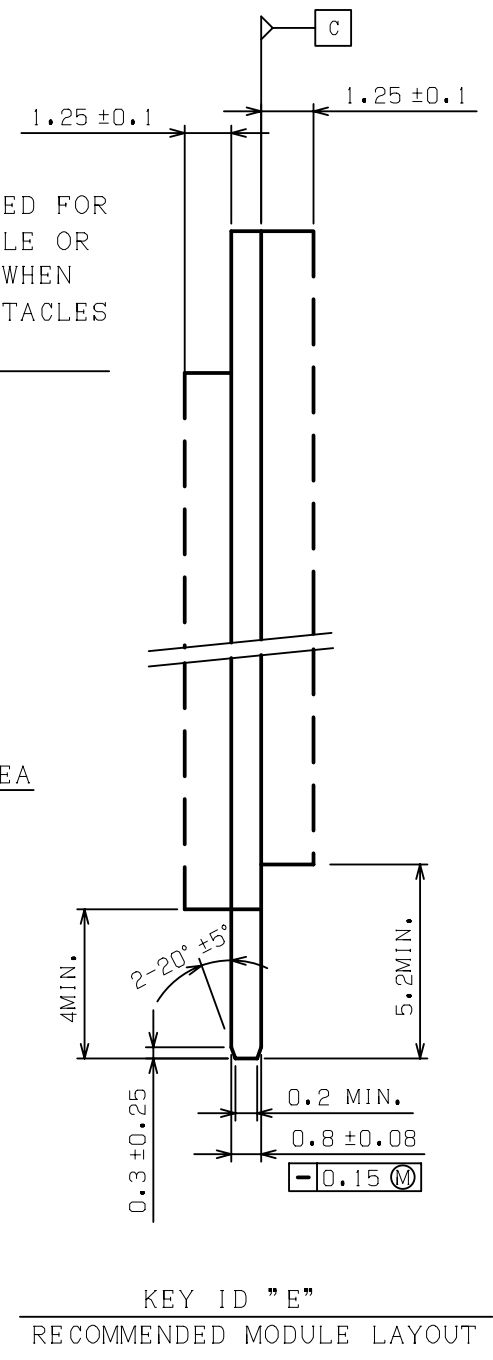
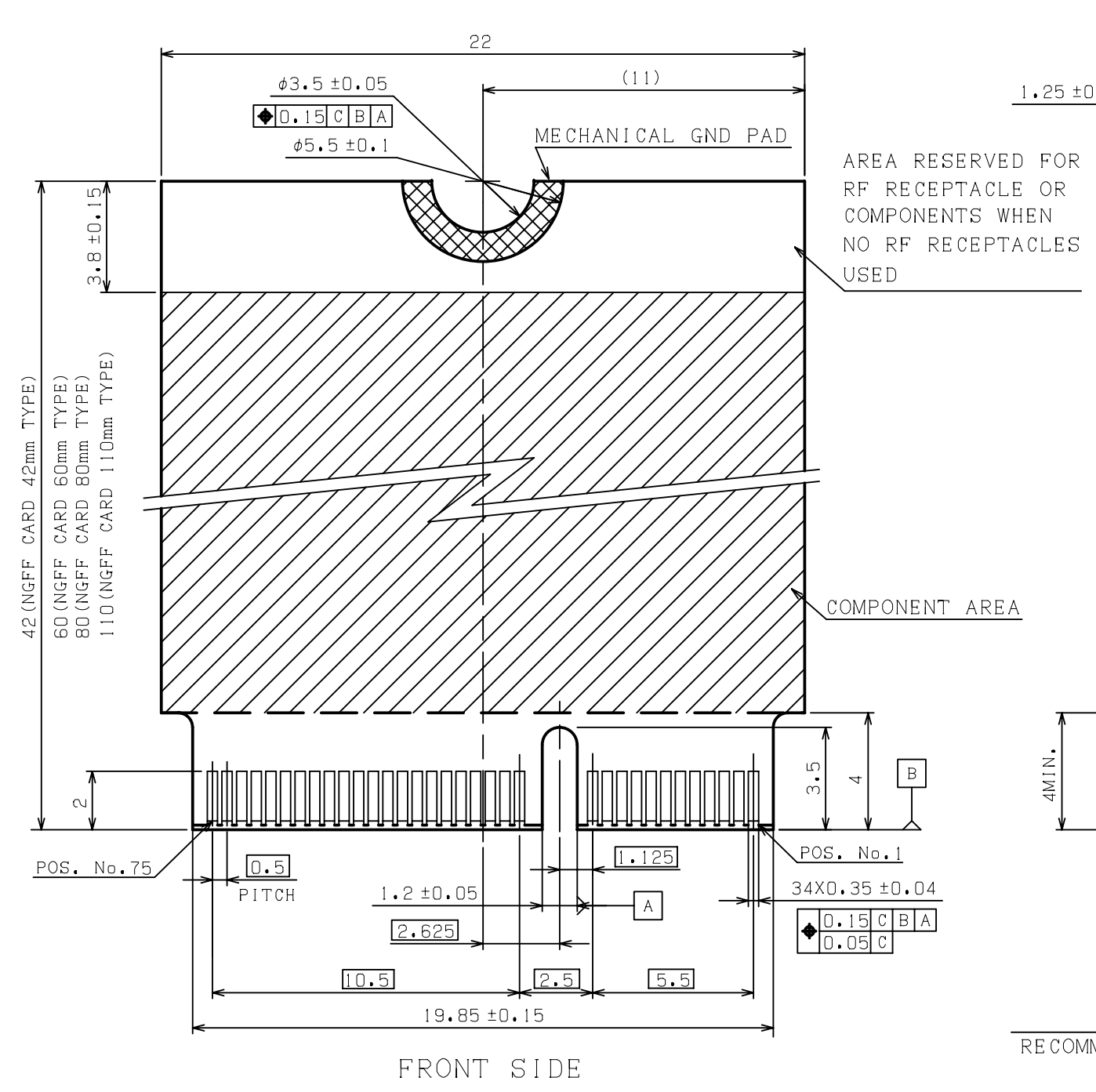
4

3

2

1

REV.	DESCRIPTION	DATE	DWG.	CHKD
SEE SHEET 1 OF 4				



KEY ID "E"  
RECOMMENDED MODULE LAYOUT

GENERAL TOLERANCE ±0.15

FINISH		NAME		PART NO.	
MATERIAL	NET WEIGHT	COLOR	GENERAL TOLERANCE	UNIT:mm	
*****	***g	BLACK	±0.2 ±3°	UNIT:mm	
FIN.&TREAT	GROSS WEIGHT	SCALE	SIZE		
*****	***g	5:1	A3		
CUSTOMER	PART NO.		REV.		
*****	CA1022-067B**		0		
CUSTOMER PART NO.	PROPOSAL NO.		REV.		
*****	****-***-**-**		*		
美星鴻科技股份有限公司 MSH TECHNOLOGY INC.			NAME NGFF CONN. 3H KEY ID E TYPE (SHEET 3 OF 4)		
APP. '13/10/07	CHKD '13/10/07	DWG. '13/10/07	*****		
T.HASHIMOTO	T.HASHIMOTO	B.KA			

(CUSTOMER DRAWING)

6

5

4

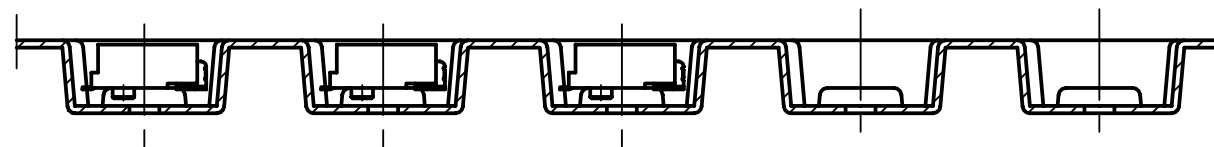
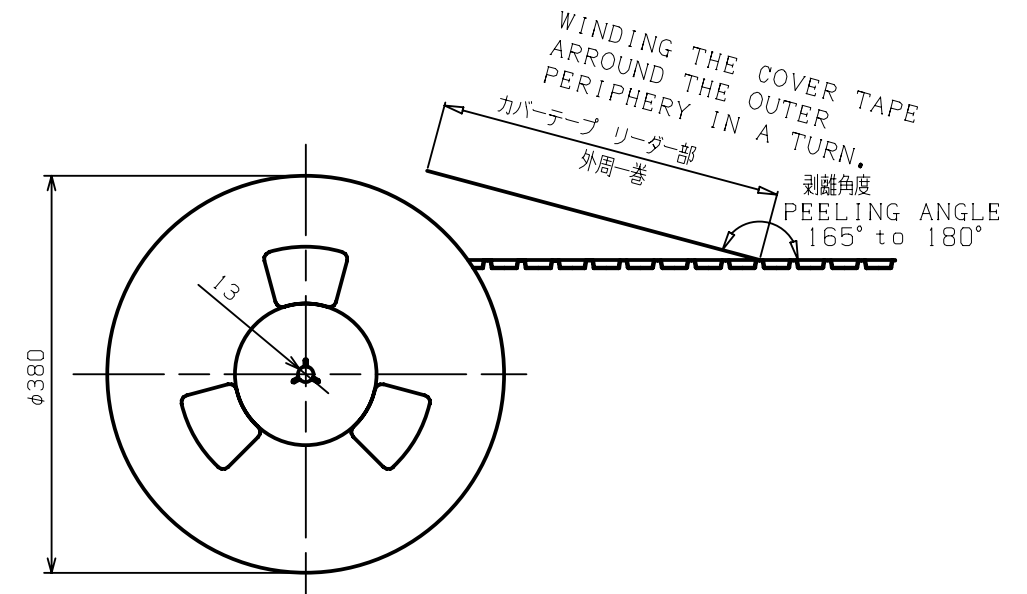
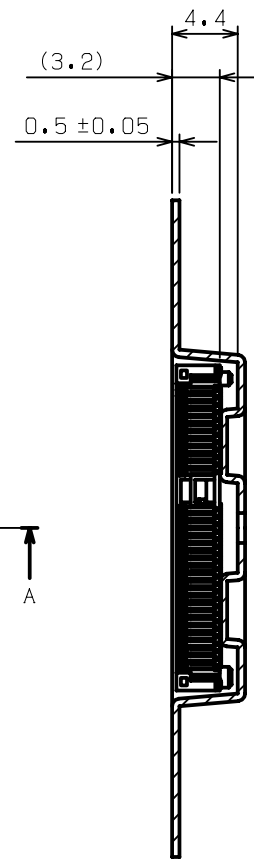
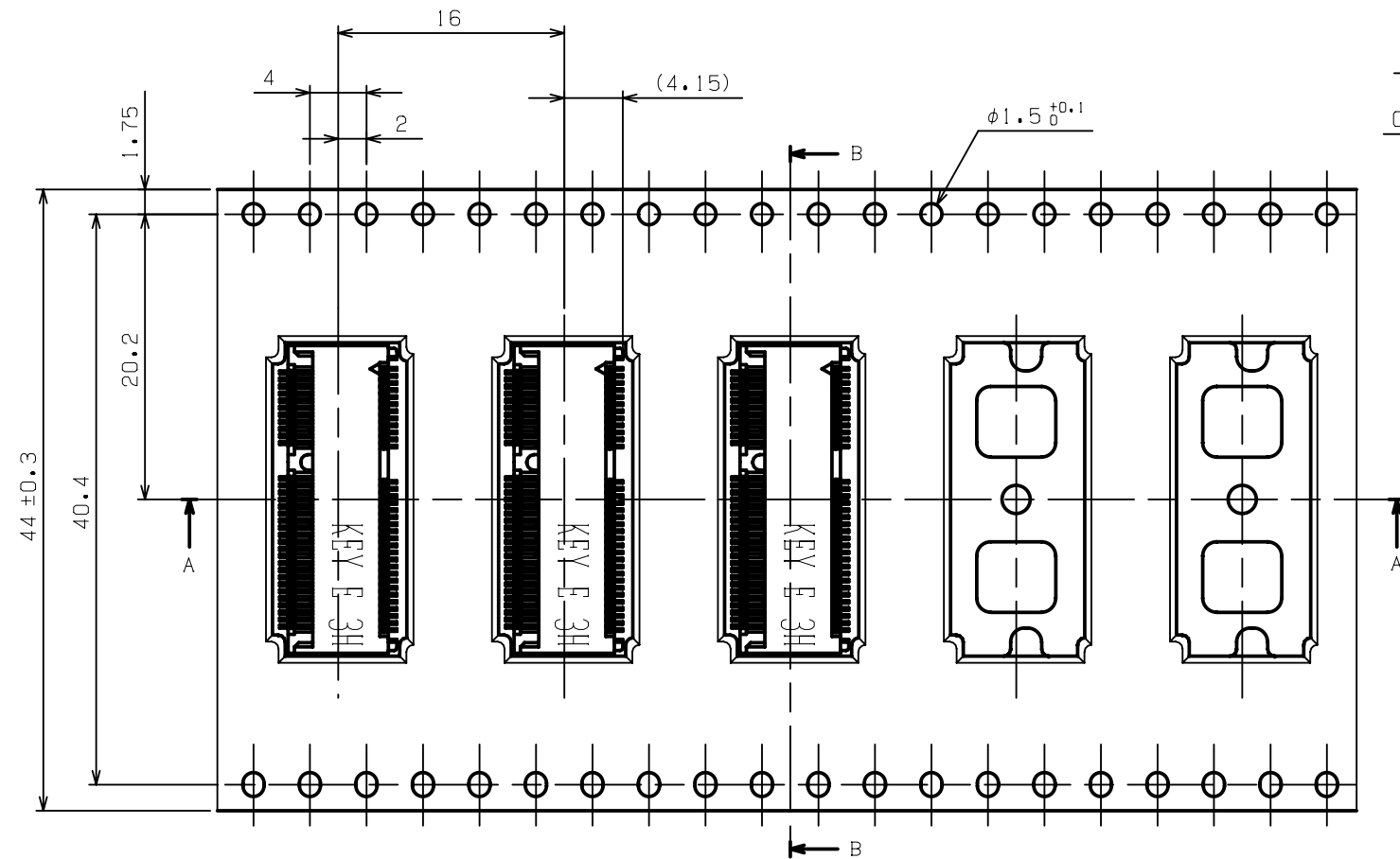
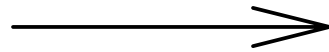
3

2

1

REV.	DESCRIPTION	DATE	DWG.	CHKD
SEE SHEET 1 OF 4				

DIRECTION OFF TOP OF REEL



NOTES:

1. THE DIRECTION OF EACH CONNECTOR ON A EMBOSS IS REFERED TO THIS DRAWING.
2. GENERAL TOLERANCE : ±0.5 , ±3°
3. PACKAGED IN EMBOSS TAPE AND PLASTIC REEL 1200 PCS PRE REEL.

FINISH		NAME		PART NO.	
MATERIAL	NET WEIGHT	COLOR	GENERAL TOLERANCE	UNIT:mm	
*****	***g	BLACK	±0.2 ±3°	UNIT:mm	
FIN.&TREAT	GROSS WEIGHT	SCALE	SIZE		
*****	***g	5:1	A3		
CUSTOMER		PART NO.		REV.	
*****		CA1022-067B**		0	
CUSTOMER PART NO.		PROPOSAL NO.		REV.	
*****		****-***-**-**		*	
美星鴻科技股份有限公司 MSH TECHNOLOGY INC.			NAME NGFF CONN. 3H KEY ID E TYPE		
APP.	CHKD	DWG.	(SHEET 4 OF 4)		
'13/10/07 T.HASHIMOTO	'13/10/07 T.HASHIMOTO	'13/10/07 B.KA	*****		

(CUSTOMER DRAWING)