

6

5

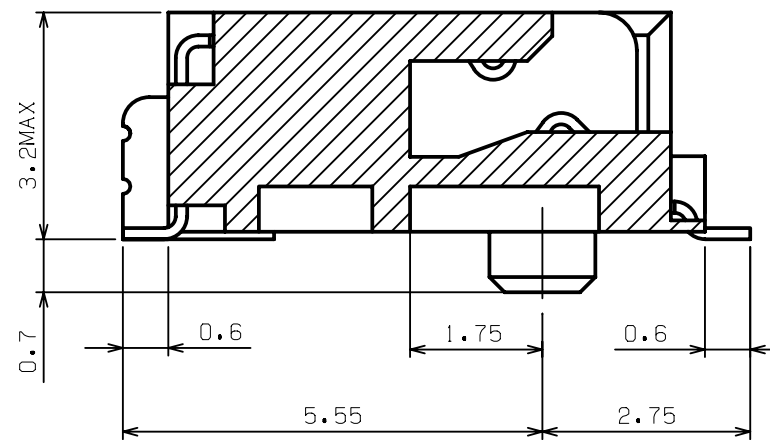
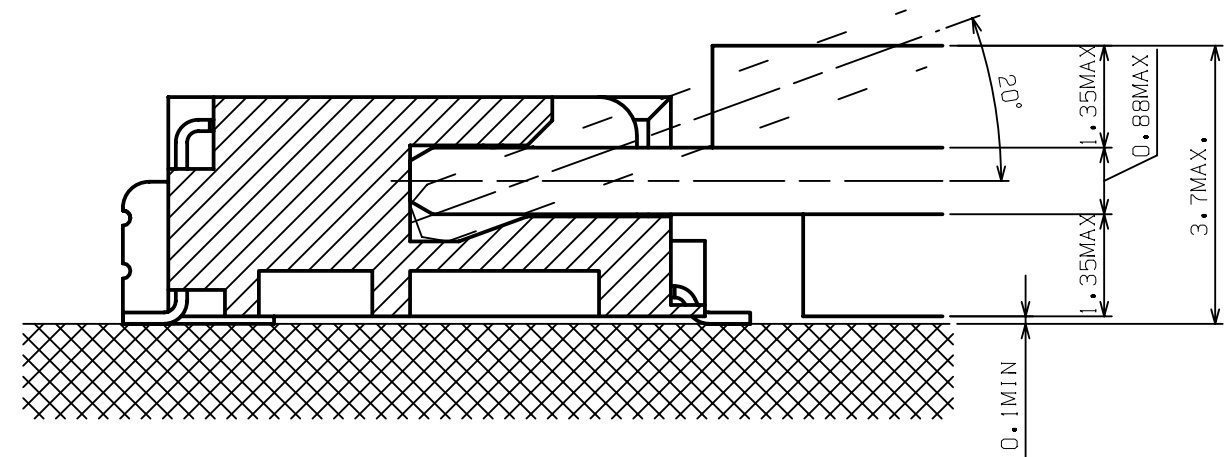
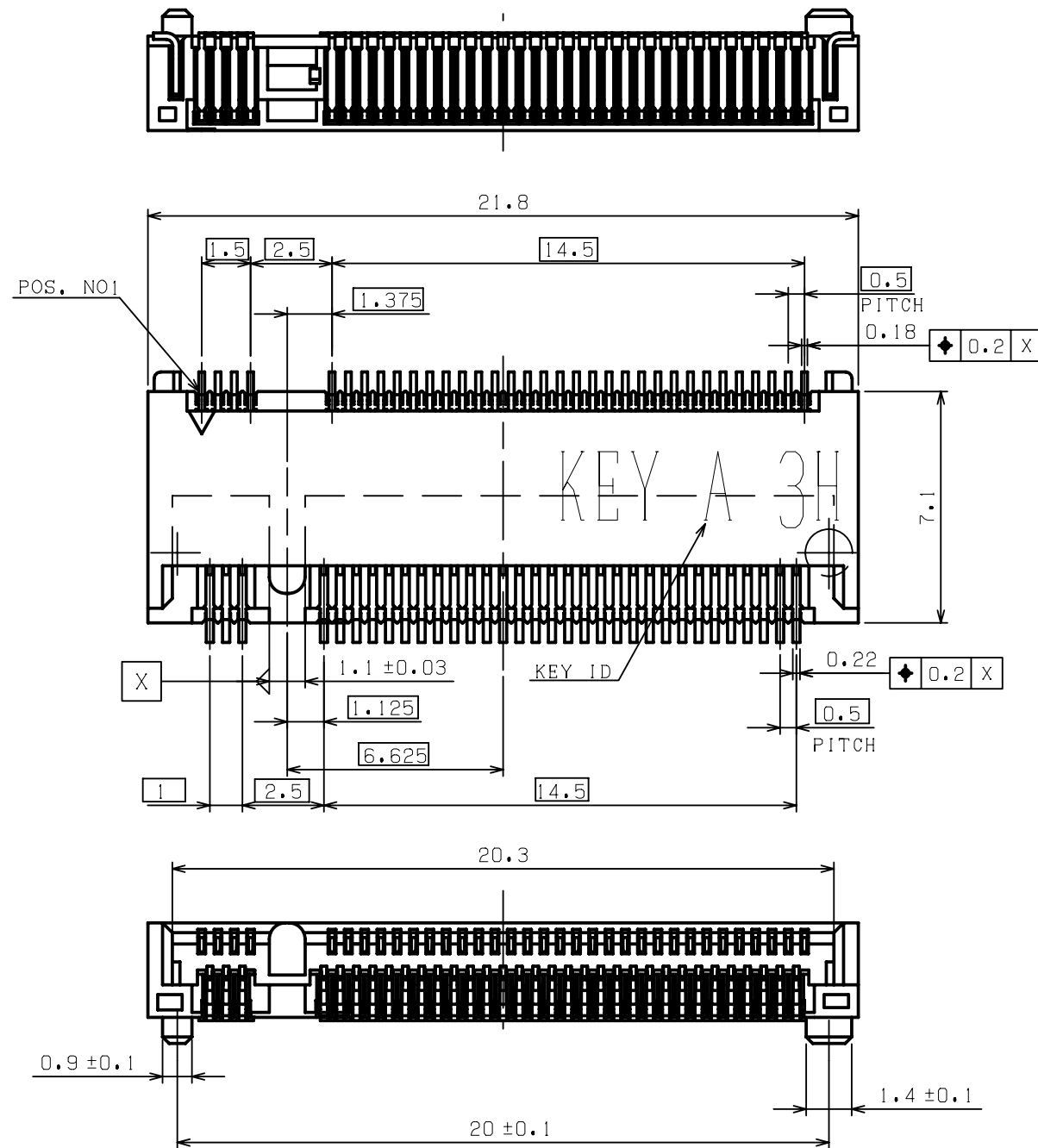
4

3

2

1

REV.	DESCRIPTION	DATE	DWG.	CHKD
0	PROPOSED	13/10/07	B.K	T.H



NOTES:

- MATERIAL:  
HOUSING: HIGH TEMPERATURE THERMO PLASTIC UL94V-0  
TERMINAL: COPPER ALLOY  
SOLDER PEG: COPPER ALLOY
- FINISH:  
TERMINAL:  
CONTACT AREA: SEE CHARTS  
SOLDERING AREA: SEE CHARTS  
UNDER PL.: NICKEL PL. 50 μ" THK MIN.
- THIS PRODUCT DOESN'T CONTAIN ENVIRONMENTAL HAZARDOUS PER DIRECTIVE 2002/95/EC FOR RoHS COMPLIANT.

KEY A	Au: 30 μ"	CA1021-067B03
	Au: 15 μ"	CA1021-067B02
	GOLD FLASH	CA1021-067B01
KEY ID	FINISH	PART NO.

FINISH		NAME		PART NO.	
MATERIAL	NET WEIGHT	COLOR	GENERAL TOLERANCE	UNIT:mm	
*****	***g	BLACK	±0.2 ±3°	UNIT:mm	
FIN.&TREAT	GROSS WEIGHT	SCALE	SIZE		
*****	***g	5:1	A3		
CUSTOMER	PART NO.	REV.		A	
*****	CA1021-067B**	0		A	
CUSTOMER PART NO.	PROPOSAL NO.	REV.		*	
*****	****-***-**-**	*		A	
美星鴻科技股份有限公司 MSH TECHNOLOGY INC.		NAME		(SHEET 1 OF 4)	
APP. '13/10/07 T.HASHIMOTO		CHKD '13/10/07 T.HASHIMOTO		DWG. '13/10/07 B.KA	
		NGFF CONN. 3H KEY ID A TYPE		*****	

6

5

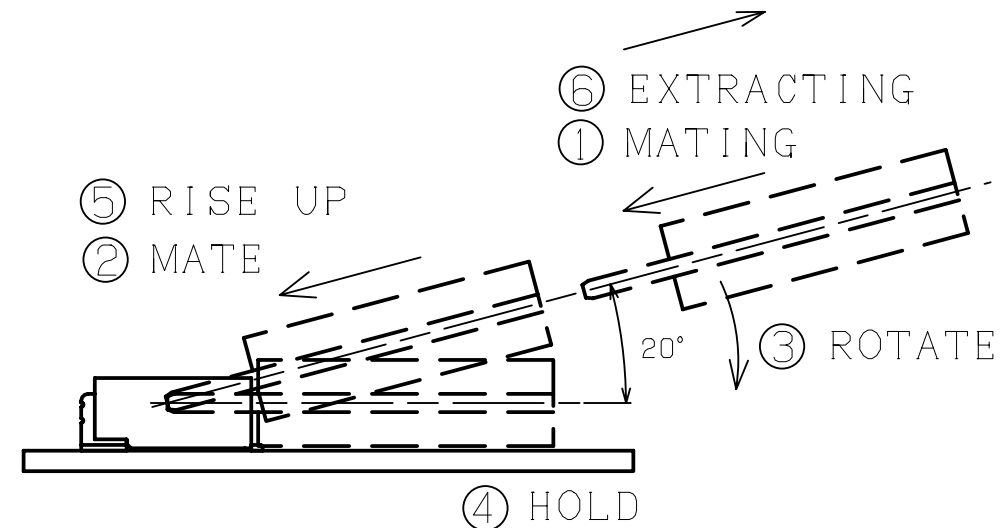
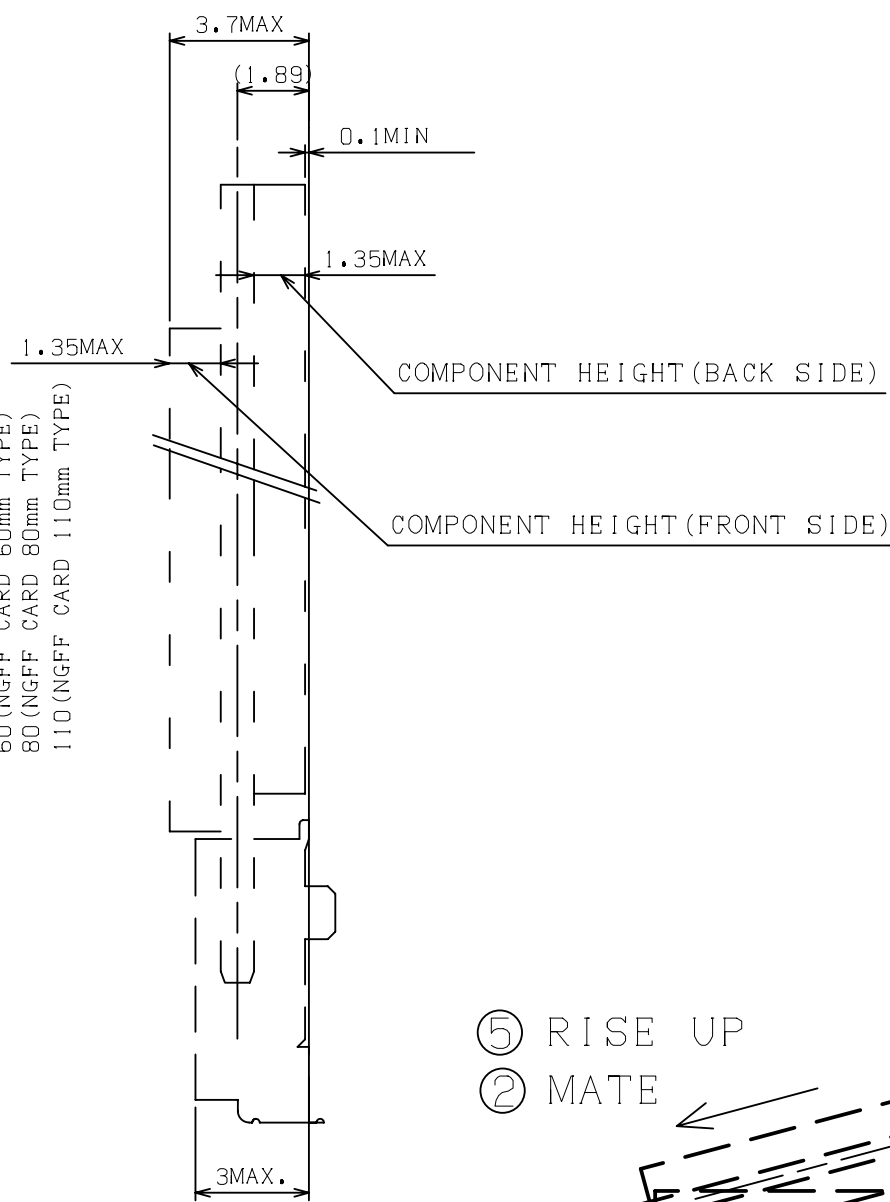
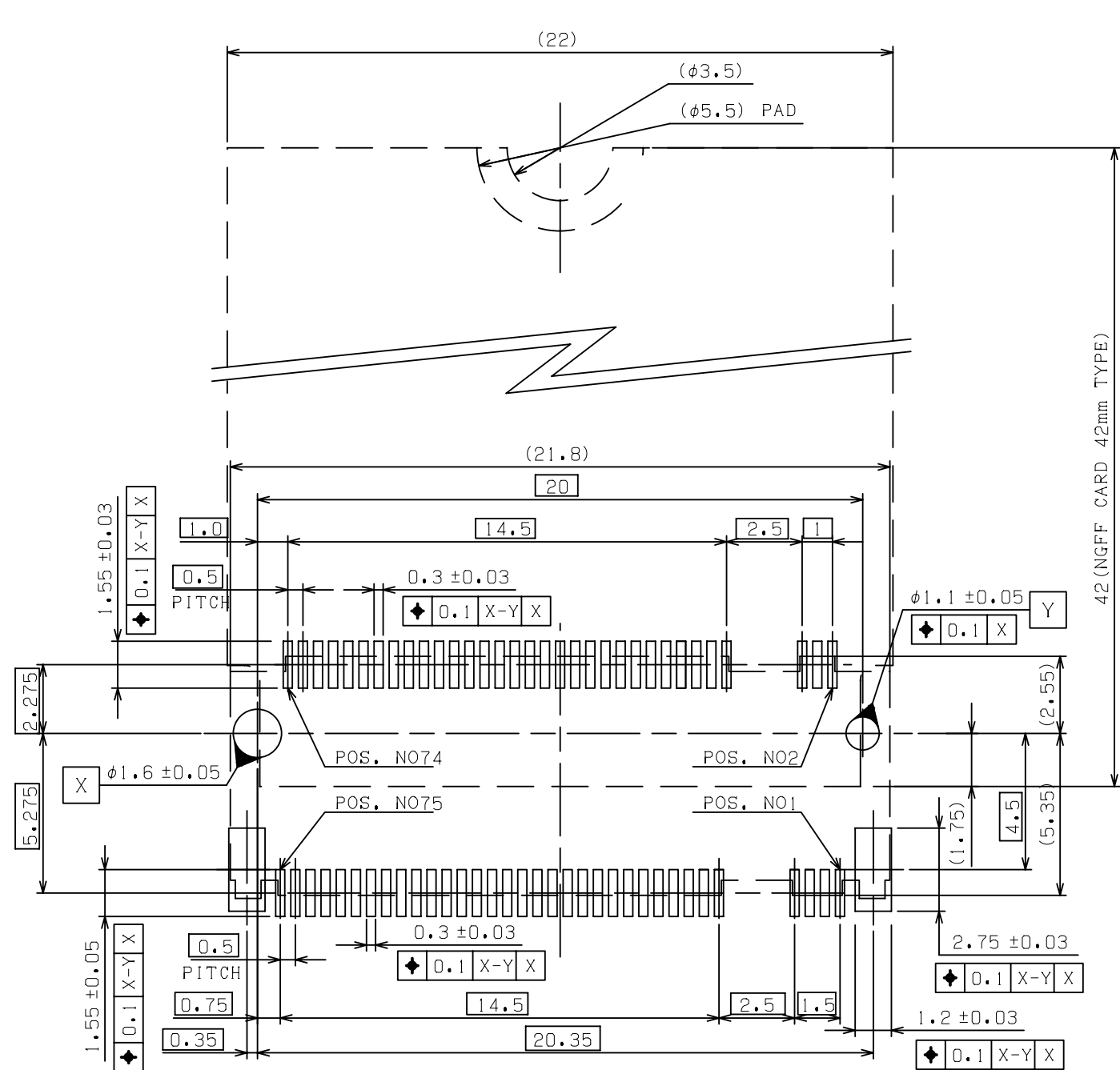
4

3

2

1

REV.	DESCRIPTION	DATE	DWG.	CHKD
	SEE SHEET 1 OF 4			



KEY ID "A"  
RECOMMENDED P.C. BOARD LAYOUT

FINISH		NAME		PART NO.	
MATERIAL	*****	NET WEIGHT	***g	COLOR	BLACK
FIN. & TREAT	*****	GROSS WEIGHT	***g	GENERAL TOLERANCE	±0.2 ±3°
CUSTOMER	*****	SCALE	5:1	SIZE	A3
CUSTOMER PART NO.	*****	PART NO.	CA1021-067B**		UNIT:mm
	*****	PROPOSAL NO.	****-***-**-**		REV. 0
美星鴻科技股份有限公司 MSH TECHNOLOGY INC.		NAME		NGFF CONN. 3H KEY ID A TYPE	
APP. 13/10/07	CHKD 13/10/07	DWG. 13/10/07	*****		
T. HASHIMOTO	T. HASHIMOTO	B. KA	(SHEET 2 OF 4)		

6

5

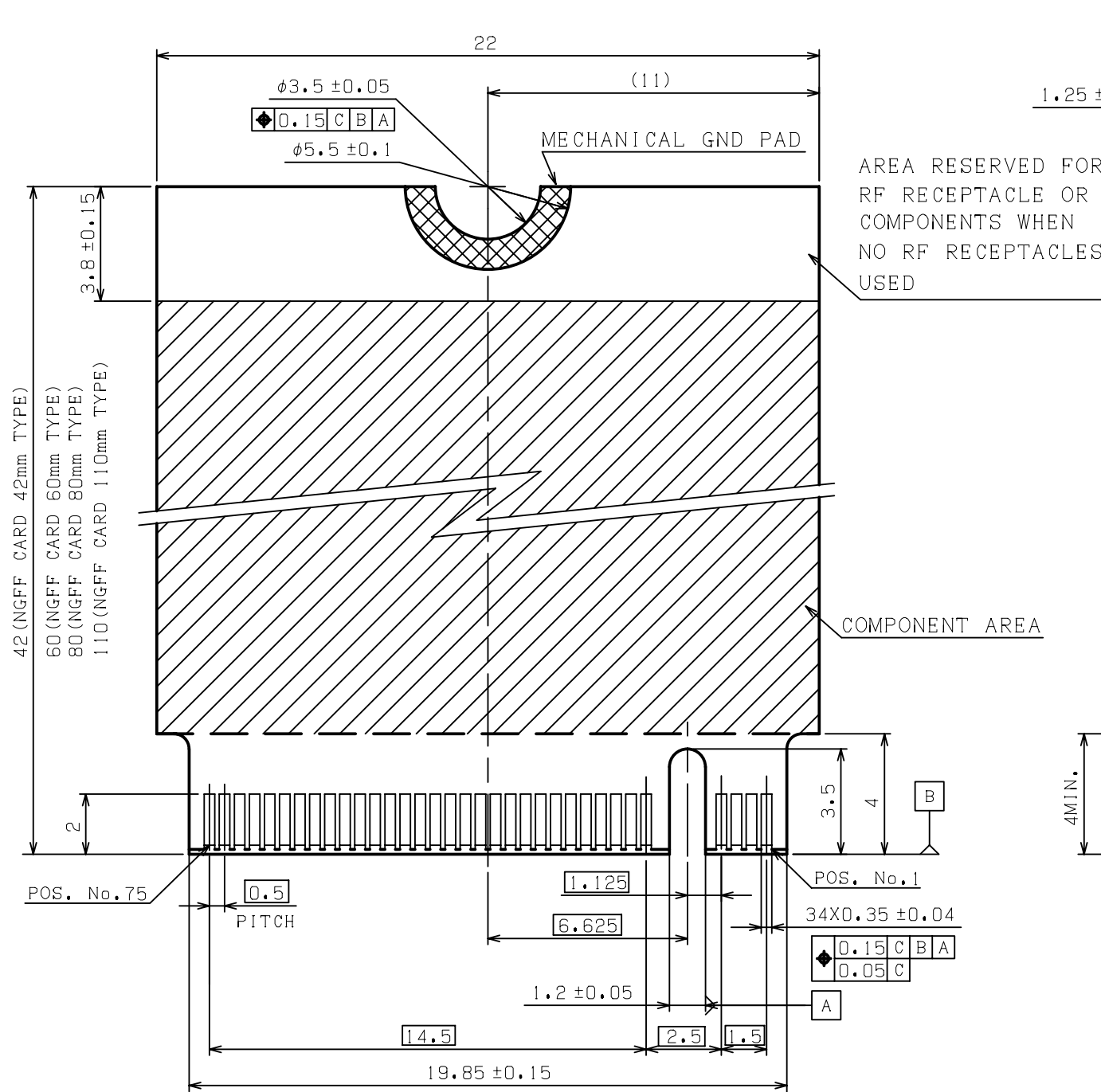
4

3

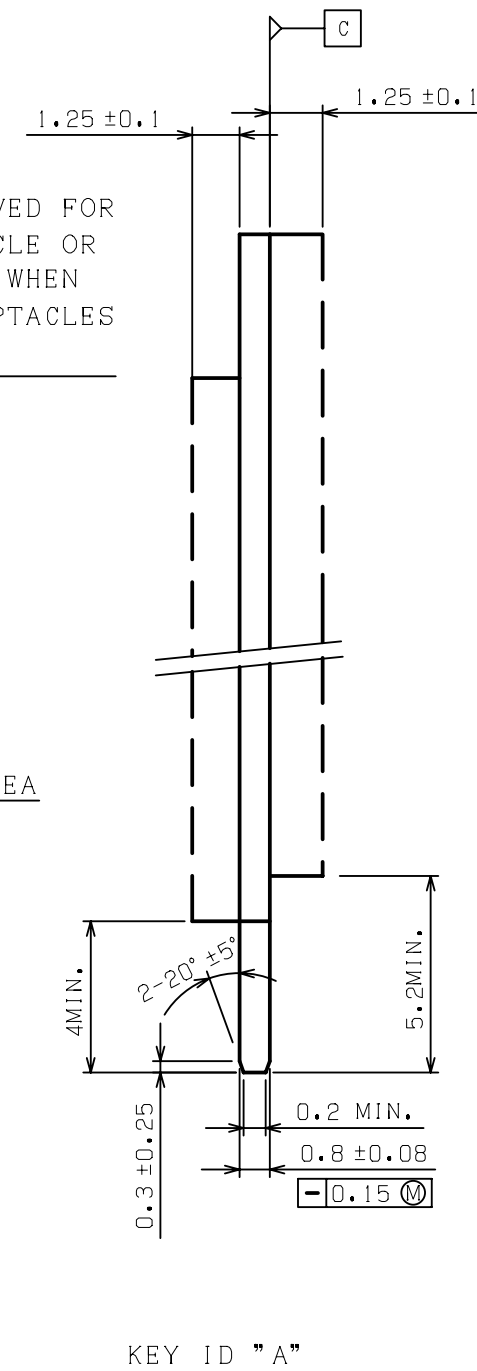
2

1

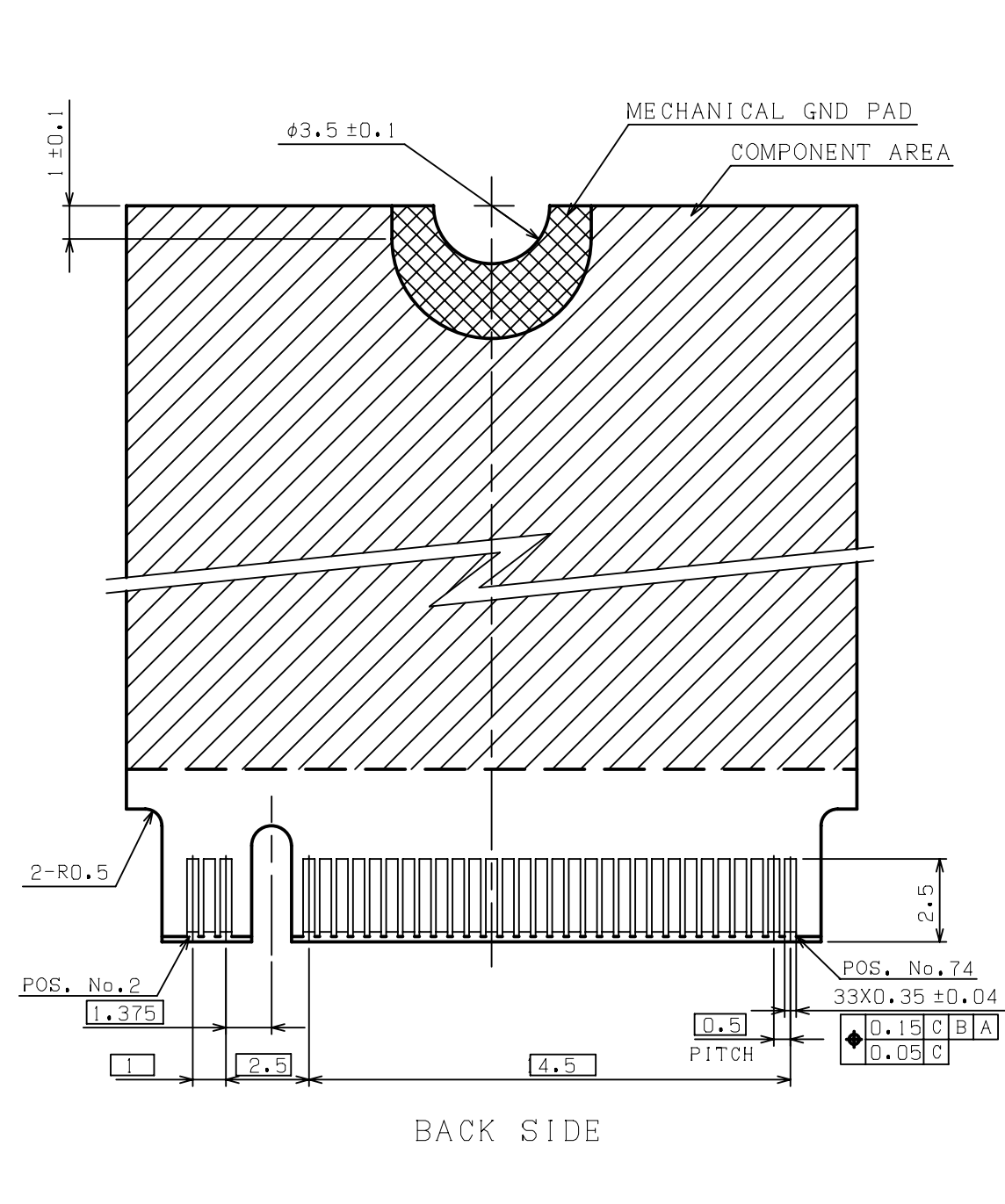
REV.	DESCRIPTION	DATE	DWG.	CHKD
	SEE SHEET 1 OF 4			



FRONT SIDE



KEY ID "A"  
RECOMMENDED MODULE LAYOUT



BACK SIDE

GENERAL TOLERANCE ±0.15

FINISH		NAME		PART NO.	
MATERIAL	NET WEIGHT	COLOR	GENERAL TOLERANCE	UNIT:mm	
*****	***g	BLACK	±0.2 ±3°	0	
FIN.&TREAT	GROSS WEIGHT	SCALE	SIZE	REV.	
*****	***g	5:1	A3	*	
CUSTOMER			PART NO.	REV.	
*****			CA1021-067B**	0	
CUSTOMER PART NO.			PROPOSAL NO.	REV.	
*****			****-****-**-**	*	
美星鴻科技股份有限公司 MSH TECHNOLOGY INC.			NAME NGFF CONN. 3H KEY ID A TYPE		
APP. 13/10/07	CHKD 13/10/07	DWG. 13/10/07	(SHEET 3 OF 4)		
T.HASHIMOTO	T.HASHIMOTO	B.KA	*****		

(CUSTOMER DRAWING)

6

5

4

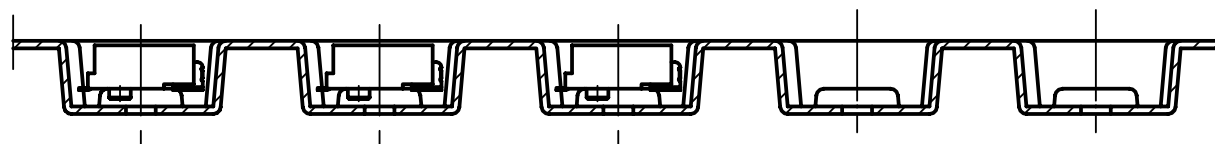
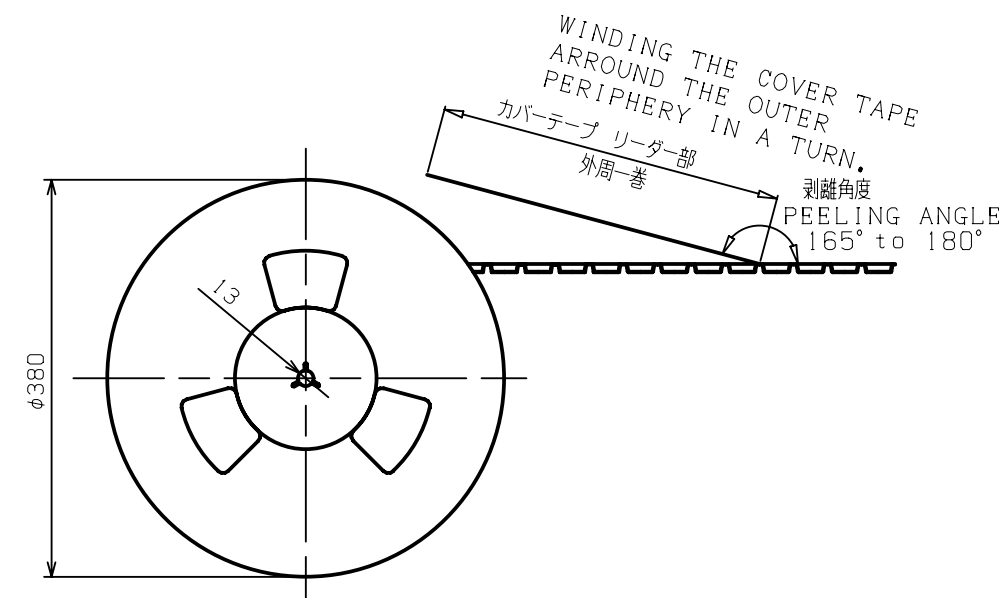
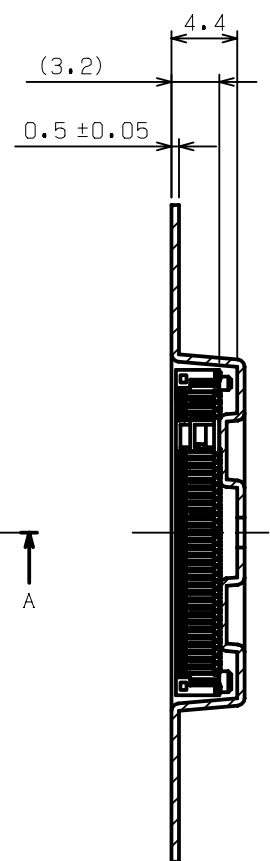
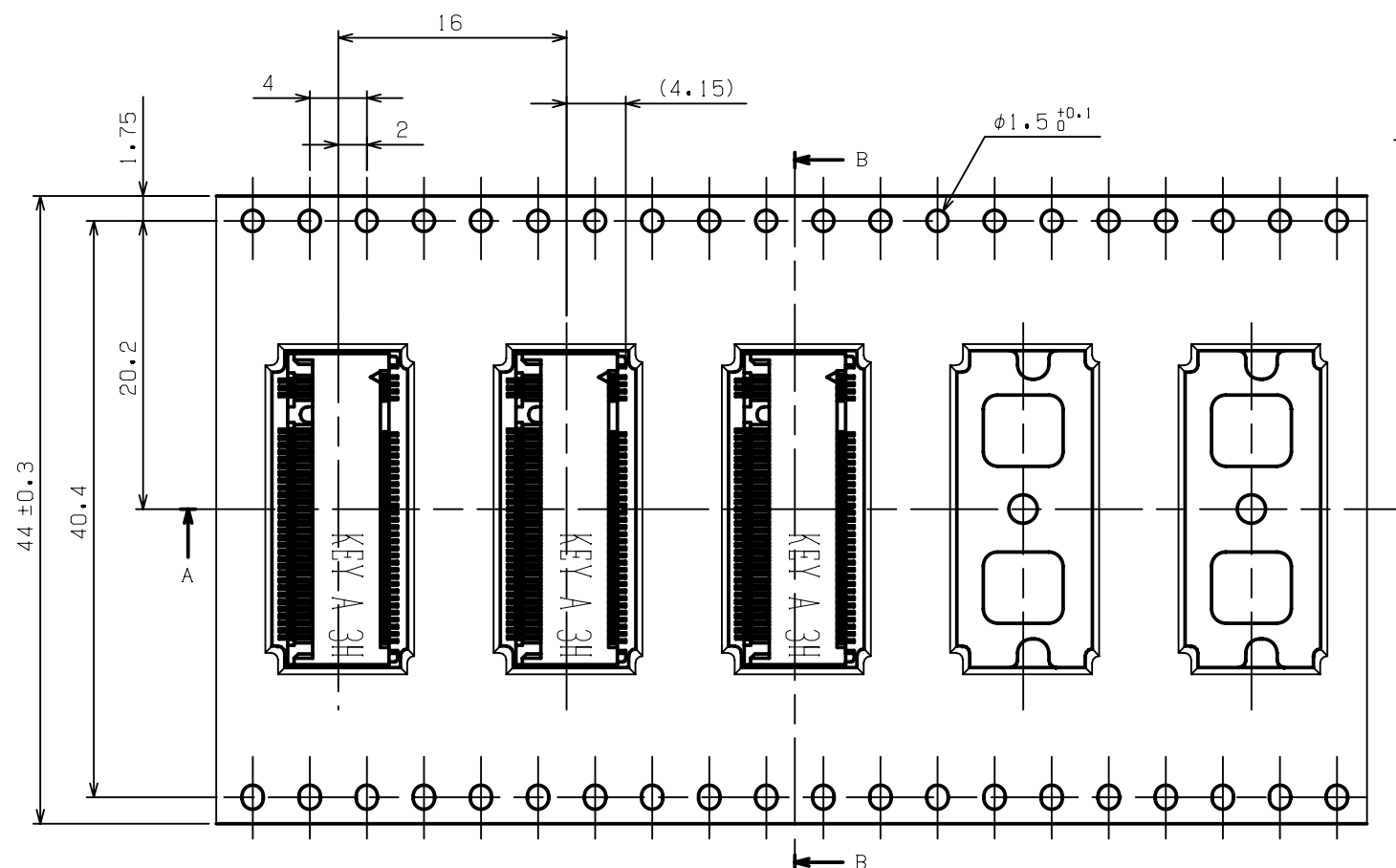
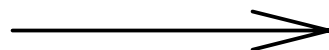
3

2

1

REV.	DESCRIPTION	DATE	DWG.	CHKD
SEE SHEET 1 OF 4				

DIRECTION OFF TOP OF REEL



NOTES:

1. THE DIRECTION OF EACH CONNECTOR ON A EMBOSS IS REFERED TO THIS DRAWING.
2. GENERAL TOLERANCE : ±0.5 , ±3°
3. PACKAGED IN EMBOSS TAPE AND PLASTIC REEL 1200 PCS PRE REEL.

FINISH		NAME		PART NO.	
MATERIAL	NET WEIGHT	COLOR	GENERAL TOLERANCE	UNIT:mm	
*****	***g	BLACK	±0.2 ±3°	UNIT:mm	
FIN.&TREAT	GROSS WEIGHT	SCALE	SIZE		
*****	***g	5:1	A3		
CUSTOMER		PART NO.		REV.	
*****		CA1021-067B**		0	
CUSTOMER PART NO.		PROPOSAL NO.		REV.	
*****		****-***-**-**		*	
美星鴻科技股份有限公司 MSH TECHNOLOGY INC.			NAME NGFF CONN. 3H KEY ID A TYPE		
APP.	CHKD	DWG.	(SHEET 4 OF 4)		
'13/10/07 T.HASHIMOTO	'13/10/07 T.HASHIMOTO	'13/10/07 B.KA	*****		

(CUSTOMER DRAWING)