

6

5

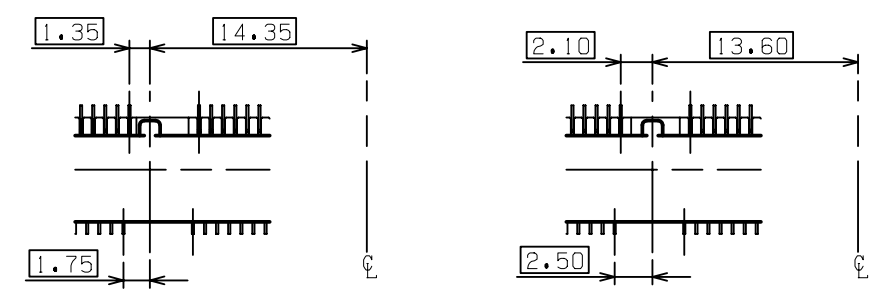
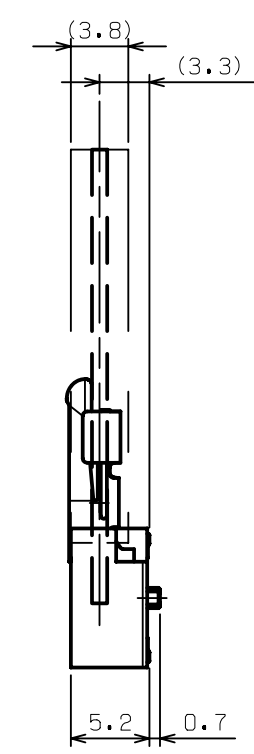
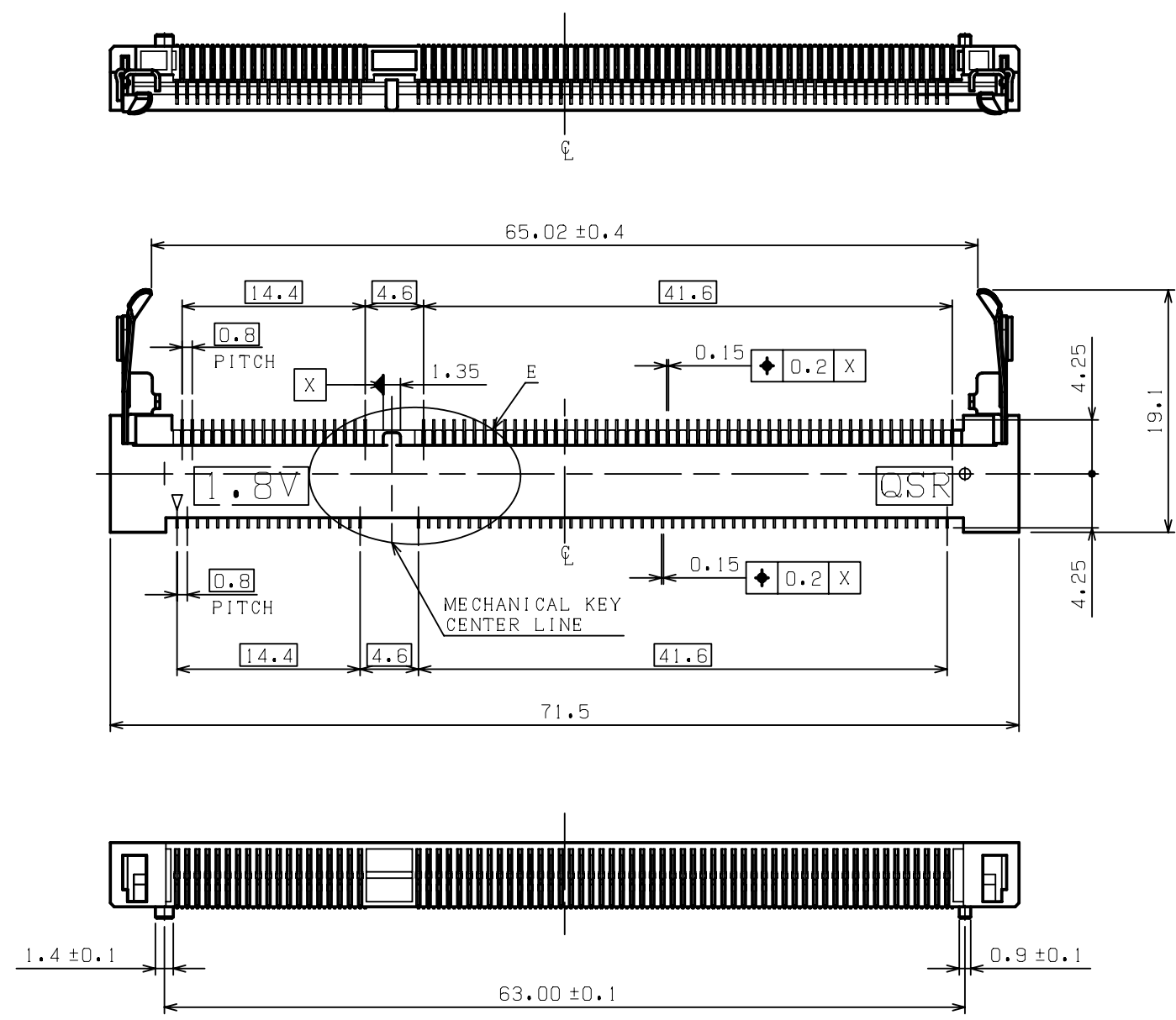
4

3

2

1

REV.	DESCRIPTION	DATE	DWG.	CHKD
0	PROPOSED	12.11.08	T.H	S.Y



TYPE 1
POWER SUPPLY 2.5 V
(CA0637-144N01)

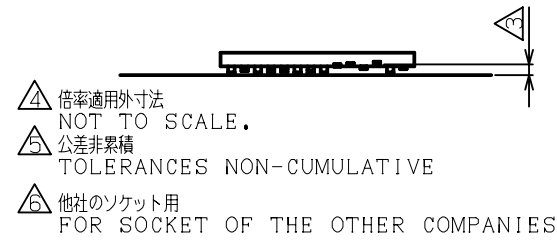
TYPE 2
POWER SUPPLY 1.8 V
(CA0637-144N02)

DETAIL E
MECHANICAL KEY TYPE

鉛フリー
LEAD FREE

NOTES.

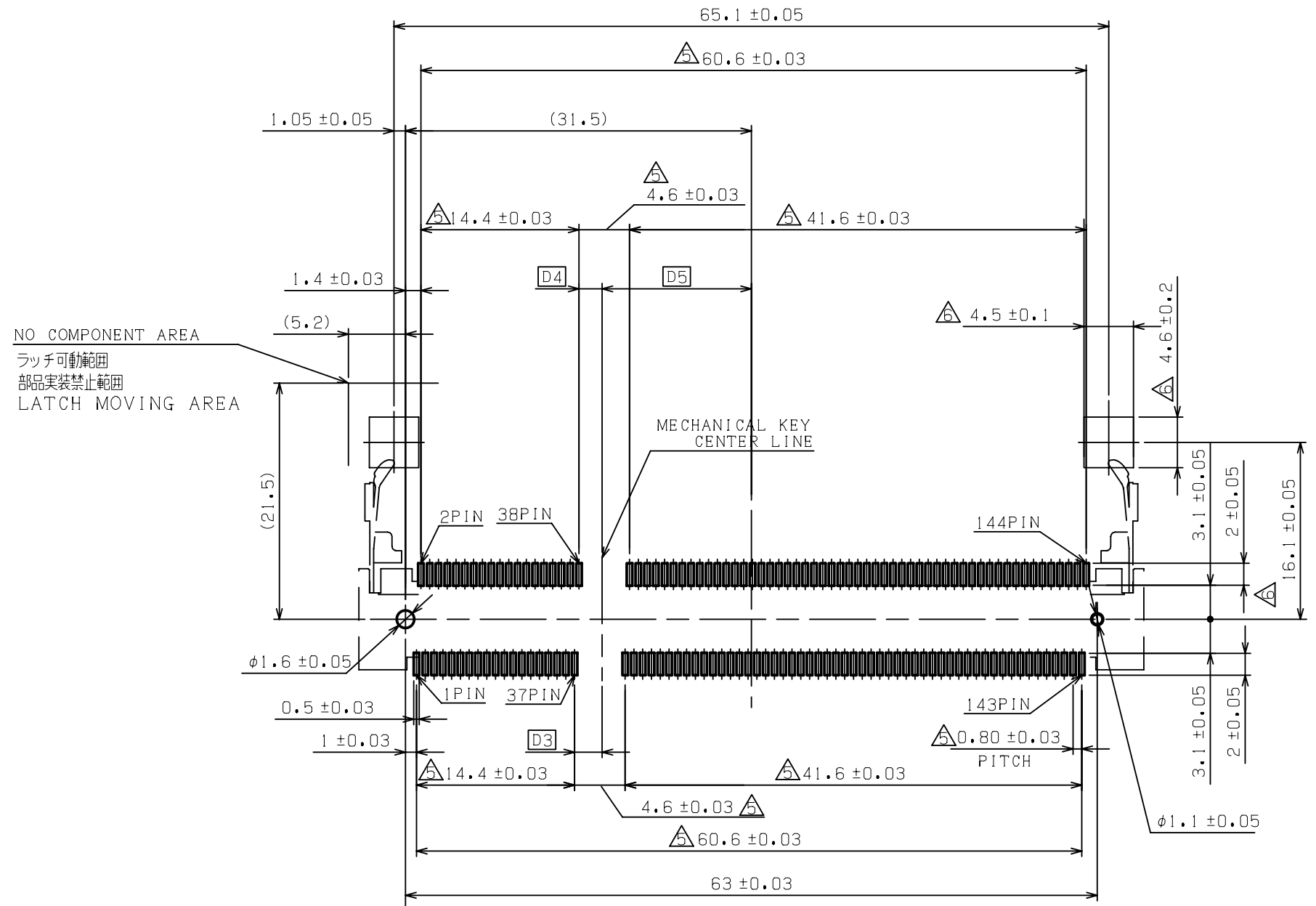
- 1. 材質: ハウジング: LCP樹脂、UL94V-0、色: 黒色
 コンタクト: 銅合金
 メタルラッチ: ステンレス
 MATERIAL; HOUSING: LCP, UL94V-0, COLOR: BLACK
 CONTACT: COPPER ALLOY
 METAL LATCH: SUS
- メッキ: コンタクト (接点部、半田付け部): 金メッキ 0.0075μm MIN, ニッケル下地 1.5μm MIN,
 PLATING; CONTACT (CONTACT POINT, SOLDER AREA):
 Au PLATE 0.0075μm MIN, Ni UNDER PLATE 1.5μm MIN.
- コネクタを平坦面に置き、端子半田付け部の浮きは、0.1mm以下
 MUST BE MEASURED FLOATING AMOUNT OF CONTACT TAILS
 FROM DATAM SURFACE IS 0.1mm MAX.



1.8V	TYPE 2	CA0637-144B02	CA0637-144B32	CA0637-144B22
2.5V	TYPE 1	CA0637-144B01	CA0637-144B31	CA0637-144B21
POWER SUPPLY	KEY TYPE	PART NO. OF CONNECTOR	PART NO. OF PACKAGED PRODUCT (WITH SOFT TARY)	PART NO. OF PACKAGED PRODUCT (WITH EMBOSS TAPE)

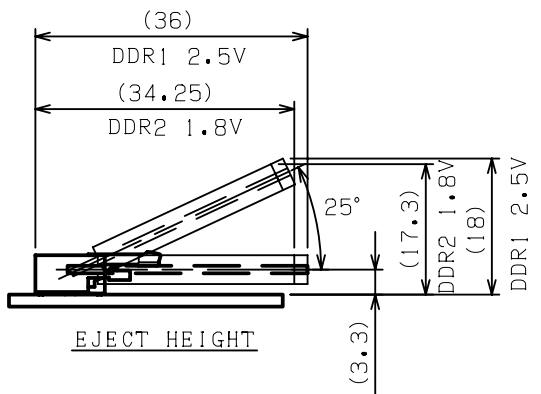
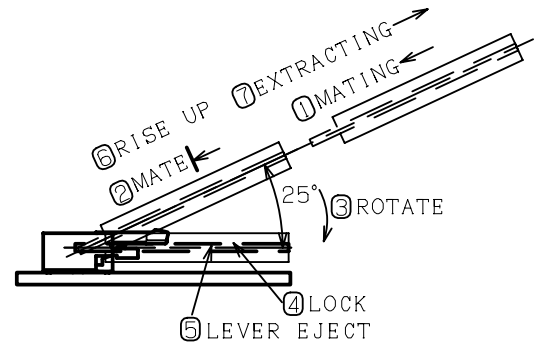
MATERIAL	SEE NOTES	NET WEIGHT	***g	COLOR	SEE NOTES	GENERAL TOLERANCE	±0.2 ±3°	UNIT:mm	
FIN.&TREAT	SEE NOTES	GROSS WEIGHT	***g	SCALE	2/1	SIZE	A3		
CUSTOMER	*****	PART NO.	CA0637-144B**			REV.	0		
CUSTOMER PART NO.	*****	PROPOSAL NO.	****-***-**-**			REV.	*		
APP. '09.06.26		CHKD '09.06.26	DWG. '09.06.26		NAME (SHEET 1 OF 5)				
S.YAMADA		S.YAMADA		T.HASHIMOTO		DDR S.O DIMM SOCKET H=5.2 TYPE A 144pos. SMALL LATCH			
FOR 144PIN DDR S.O DIMM						(CUSTOMER DRAWING)			

REV.	DESCRIPTION	DATE	DWG.	CHKD
	SEE SHEET 1 OF 5			



推奨基板レイアウト寸法
RECOMMENDED MOUNTING
P.C. BOARD PATTERN LAYOUT DIM.

1.8V	13.60	2.10	2.50
2.5V	14.35	1.35	1.75
POWER SUPPLY	D5	D4	D3

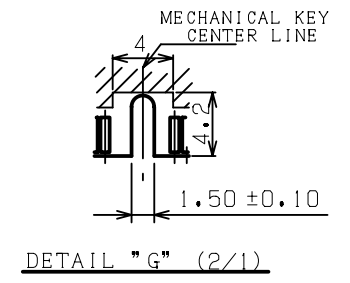
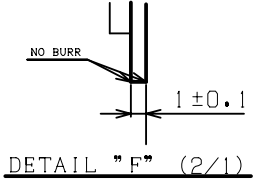
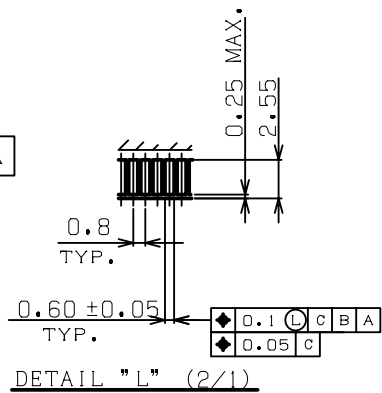
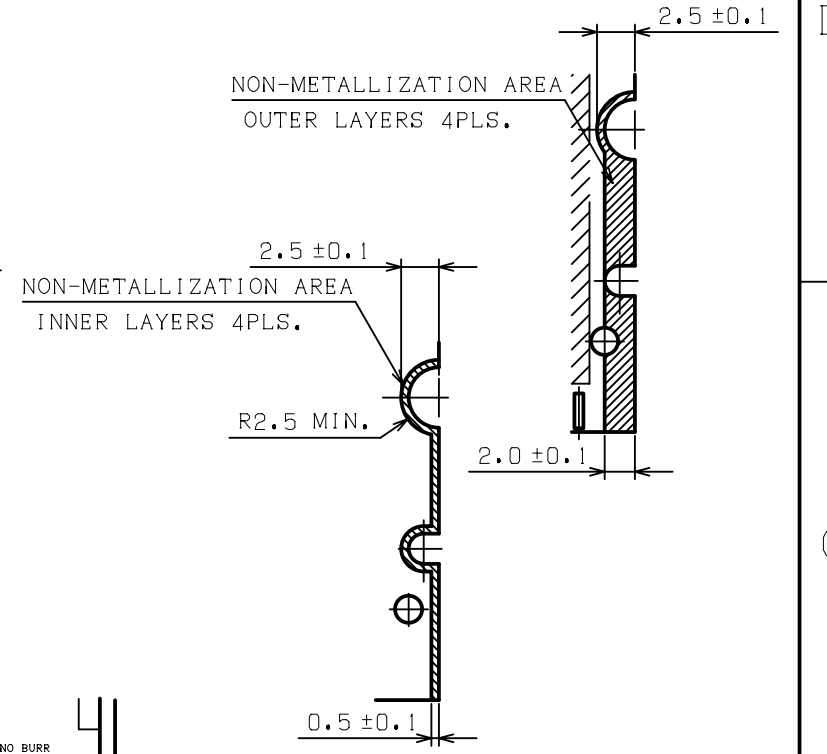
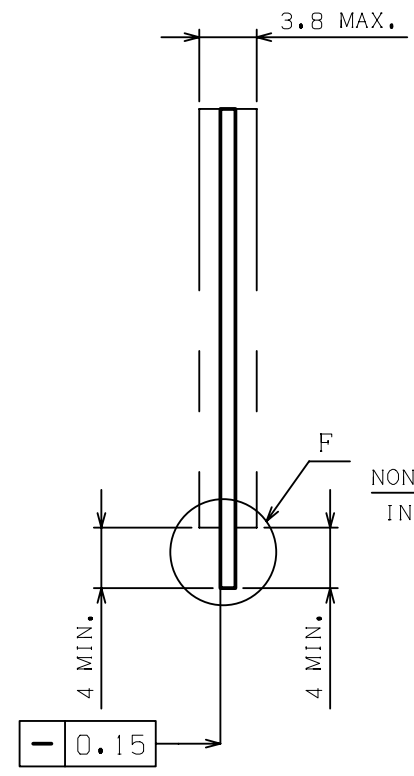
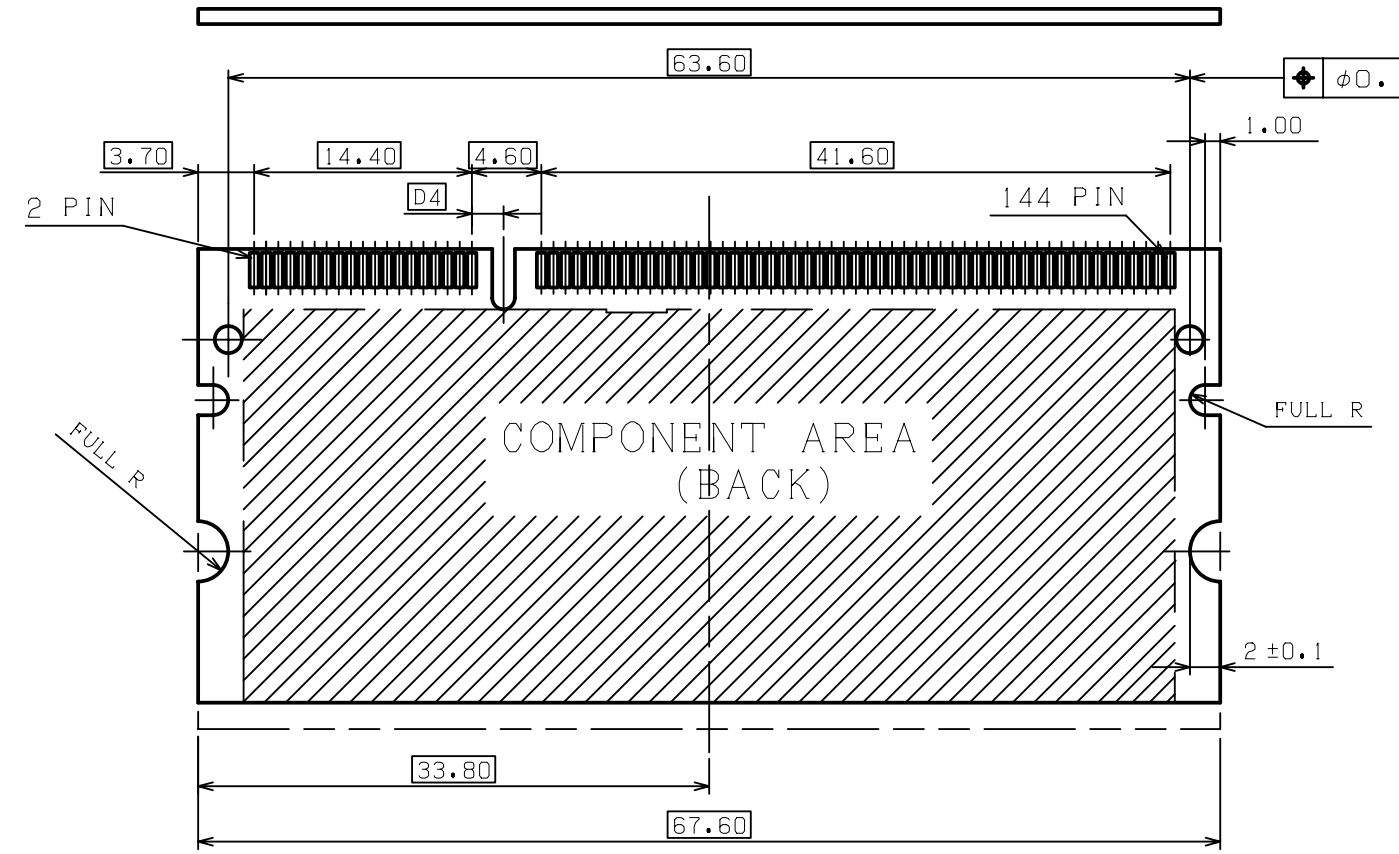
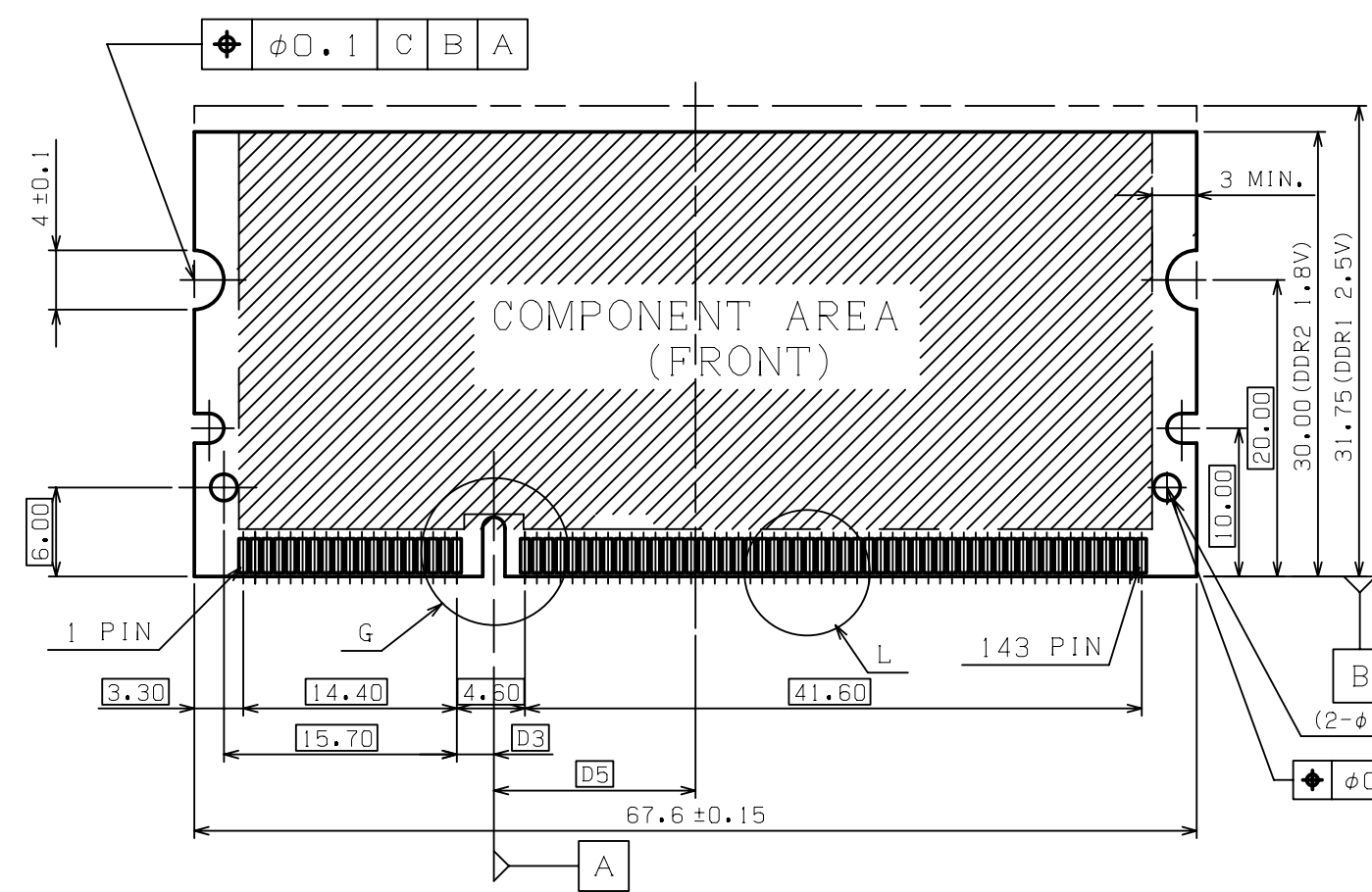


QTY PER ASSY				
**	**	**	**	**
**	**	**	**	**
**	**	**	**	**
**	**	**	**	**
**	**	**	**	**
**	**	**	**	**
**	**	**	**	**
**	**	**	**	**
**	**	**	**	**
**	**	**	**	**
**	**	**	**	**
**	**	**	**	**
**	**	**	**	**
**	**	**	**	**
**	**	**	**	**

NOTE	FINISH	PART NO.	NAME	NO.
MATERIAL *****	NET WEIGHT ***g	COLOR *****	GENERAL TOLERANCE ±0.2 ±3°	UNIT:mm
FIN.&TREAT *****	GROSS WEIGHT ***g	SCALE 2:1	SIZE A3	
CUSTOMER *****	PART NO.	CA0637-144B**		REV. 0
CUSTOMER PART NO. *****	PROPOSAL NO.	****-***-**-**		REV. *
APP. '09.06.26 CHKD '09.06.26 DWG. '09.06.26		NAME (SHEET 2 OF 5)		
S.YAMADA S.YAMADA T.HASHIMOTO		DDR S.O DIMM SOCKET H=5.2 TYPE A 144pos. SMALL LATCH		
		FOR 144PIN DDR S.O DIMM		

XXXXX

REV.	DESCRIPTION	DATE	DWG.	CHKD.
	SEE SHEET 1 OF 5			



1.8V	13.60	2.10	2.50
2.5V	14.35	1.35	1.75
POWER SUPPLY	D5	D4	D3

MATERIAL	*****	NET WEIGHT	***g	COLOR	*****	GENERAL TOLERANCE	±0.15 ±3°	UNIT:mm
FIN.&TREAT	*****	GROSS WEIGHT	***g	SCALE	2/1	SIZE	A3	
CUSTOMER	*****	PART NO.	CA0637-144B**			REV.	0	
CUSTOMER PART NO.	*****	PROPOSAL NO.	****-**-**-**			REV.	*	
APP. '09.06.26		CHKD. '09.06.26		DWG. '09.06.26		(SHEET 3 OF 5)		
S.YAMADA		S.YAMADA		T.HASHIMOTO		DDR S.O DIMM SOCKET H=5.2 TYPE A 144pos. SMALL LATCH		
FOR 144PIN DDR S.O DIMM						(CUSTOMER DRAWING)		

6

5

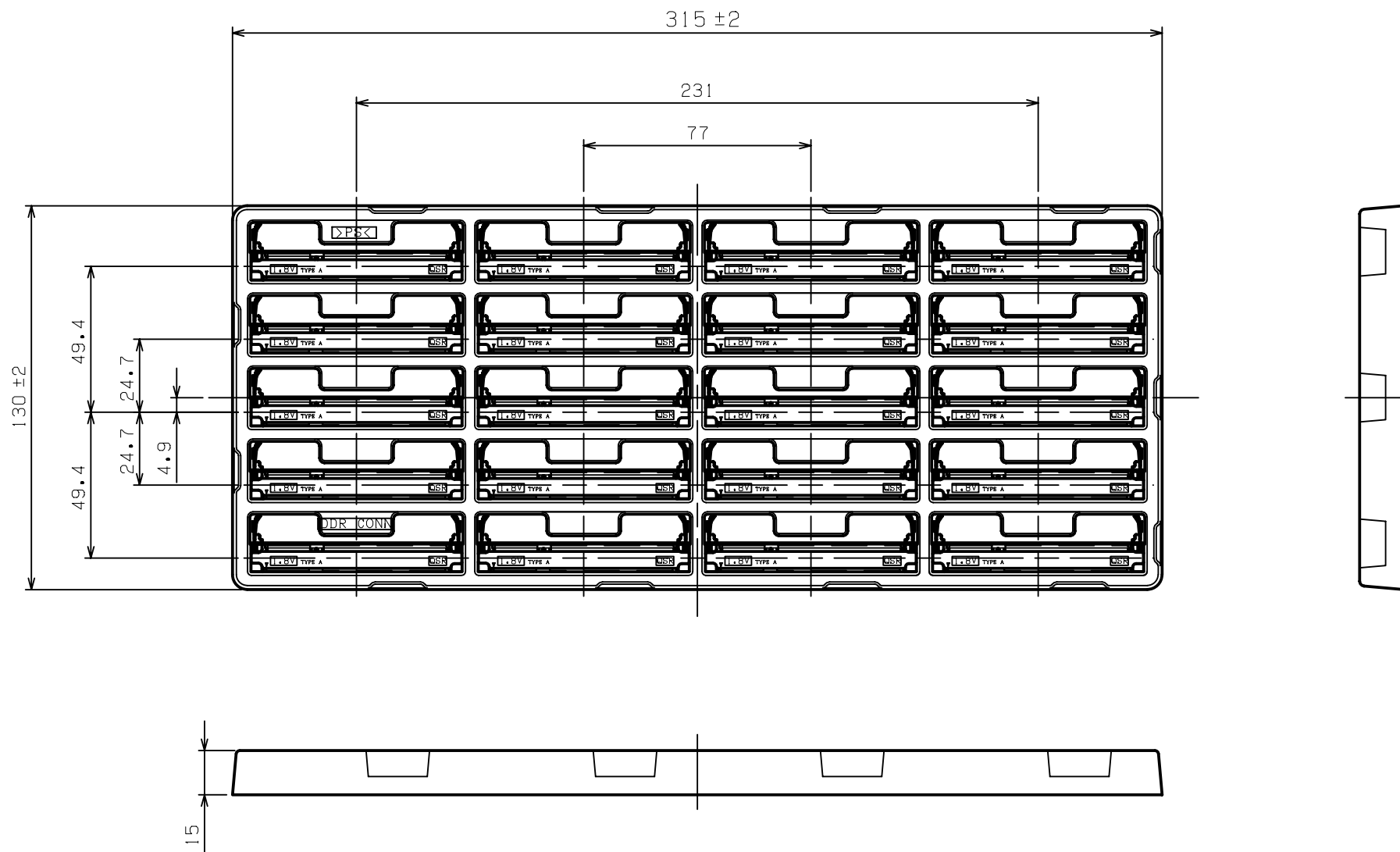
4

3

2

1

REV.	DESCRIPTION	DATE	DWG.	CHKD
SEE SHEET 1 OF 5				



SOFT TRAY PACKAGING

20	1.8V	CA0637-144B02	CA0637-144B32
20	2.5V	CA0637-144B01	CA0637-144B31
QTY.	POWER SUPPLY	PART NO. OF CONNECTOR	PART NO. OF PACKAGED PRODUCT (WITH SOFT TARY)

QTY PER ASSY					NOTE	FINISH	PART NO.	NAME		NO.	
※	※	※	※	※	MATERIAL	NET WEIGHT	COLOR	GENERAL TOLERANCE	UNIT:mm		
※	※	※	※	※	*****	***g	*****	±0.5 ±3°	A3		
—	—	—	—	—	FIN.&TREAT	GROSS WEIGHT	SCALE	SIZE			
※	※	※	※	※	*****	***g	1/2	A3	A		
—	—	—	—	—	CUSTOMER	PART NO.		CA0637-144B**		REV. 0	
※	※	※	※	※	*****	PROPOSAL NO.		***-**-**-**		REV. *	
※	※	※	※	※	CUSTOMER PART NO.	*****		NAME		(SHEET 4 OF 5)	
※	※	※	※	※	美星鴻科技股份有限公司 MSH TECHNOLOGY INC.		DDR S.O DIMM SOCKET H=5.2 TYPE A 144pos. SMALL LATCH		FOR 144PIN DDR S.O DIMM		
※	※	※	※	※	APP. '09.06.26	CHKD '09.06.26	DWG. '09.06.26				
※	※	※	※	※	S.YAMADA	S.YAMADA	T.HASHIMOTO				

(CUSTOMER DRAWING)

XXXXX

6

5

4

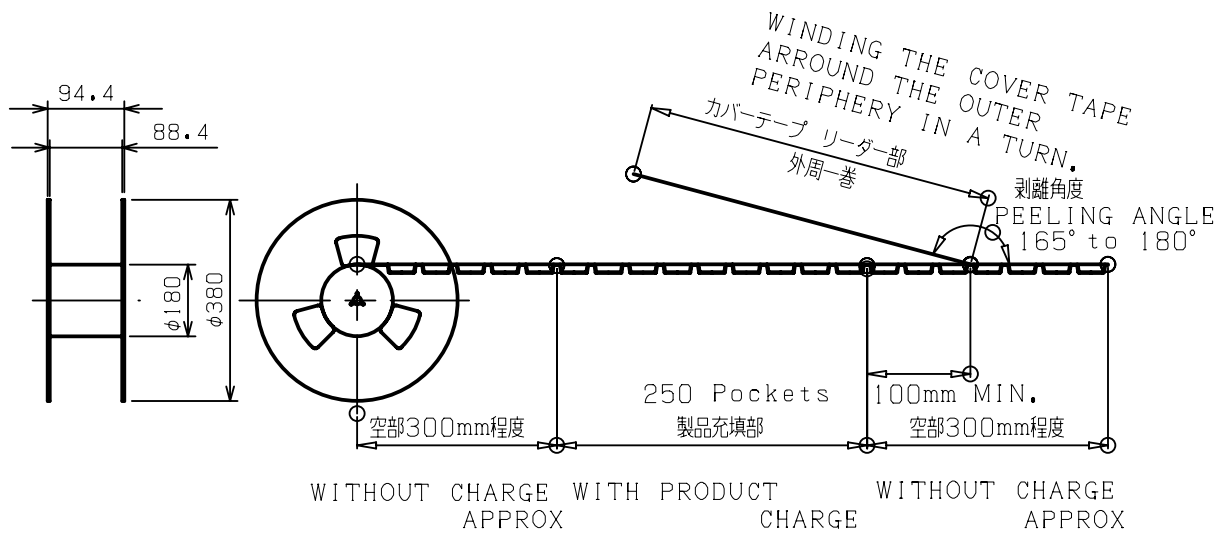
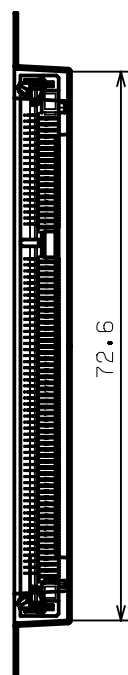
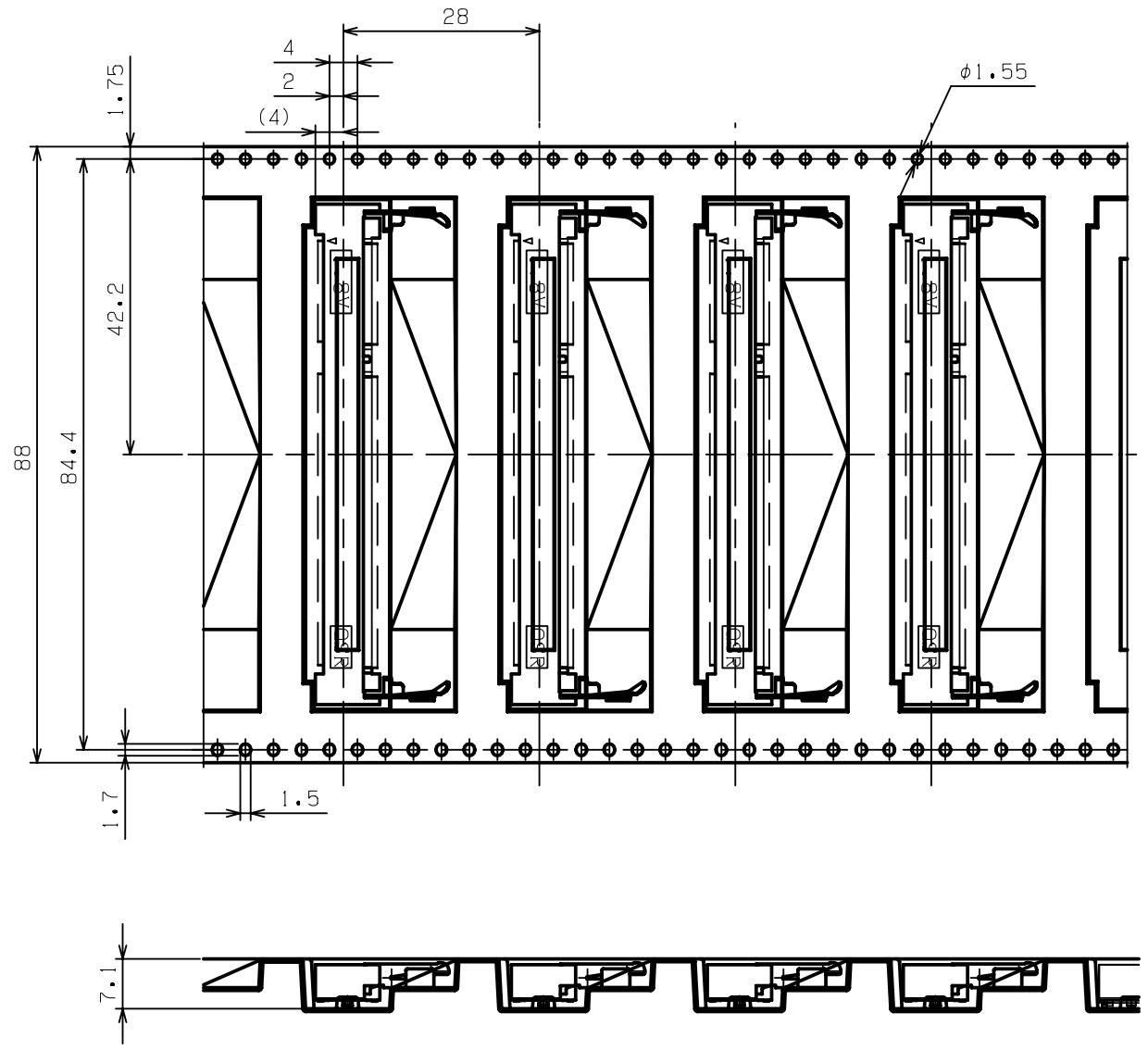
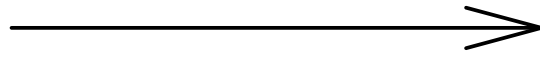
3

2

1

REV.	DESCRIPTION	DATE	DWG.	CHKD
	SEE SHEET 1 OF 5			

DIRECTION OFF TOP OF REEL



WITHOUT CHARGE WITH PRODUCT APPROX WITHOUT CHARGE WITH PRODUCT APPROX

250	1.8V	CA0637-144B02	CA0637-144B22
250	2.5V	CA0637-144B01	CA0637-144B21
QTY.	POWER SUPPLY	PART NO. OF CONNECTOR	PART NO. OF PACKAGED PRODUCT (WITH EMBOSS TAPE)

QTY PER ASSY					NOTE	FINISH	PART NO.	NAME		NO.
*	*	*	*	*	MATERIAL	NET WEIGHT	COLOR	GENERAL TOLERANCE		UNIT:mm
*	*	*	*	*	*****	***g	*****	±0.2 ±3°		
-	-	-	-	-	FIN.&TREAT	GROSS WEIGHT	SCALE	SIZE		
*	*	*	*	*	*****	***g	1:1	A3		
-	-	-	-	-	CUSTOMER	PART NO.		CA0637-144B**		REV. 0
*	*	*	*	*	*****	PROPOSAL NO.		***-**-**-**		REV. *
*	*	*	*	*	CUSTOMER PART NO.	NAME		(SHEET 5 OF 5)		
*	*	*	*	*	*****	MSH TECHNOLOGY INC.		DDR S.O DIMM SOCKET H=5.2 TYPE A 144pos. SMALL LATCH		
*	*	*	*	*	APP. '09.06.26	CHKD '09.06.26	DWG. '09.06.26	FOR 144PIN DDR S.O DIMM		
*	*	*	*	*	S.YAMADA	S.YAMADA	T.HASHIMOTO			

(CUSTOMER DRAWING)

XXXXX