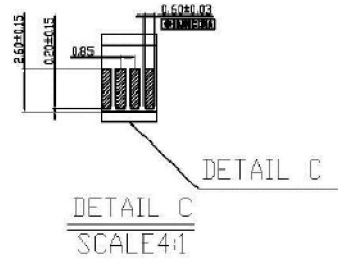
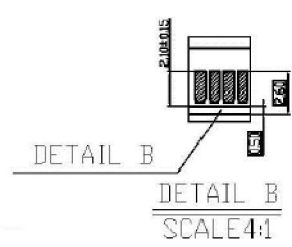
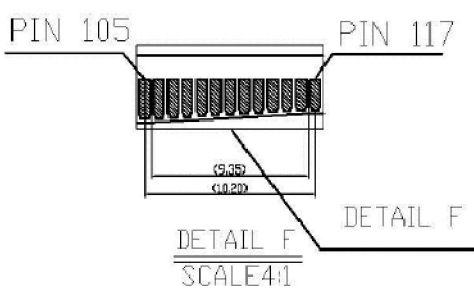
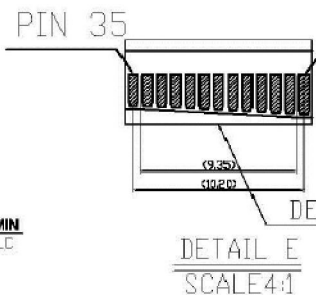
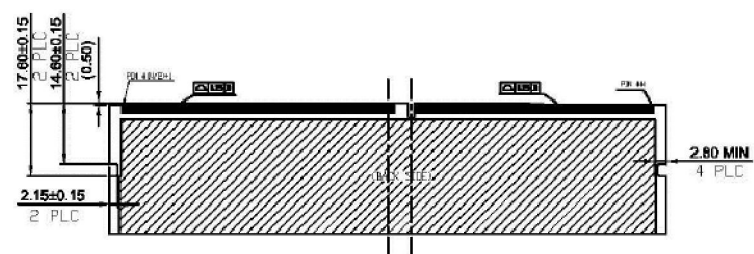
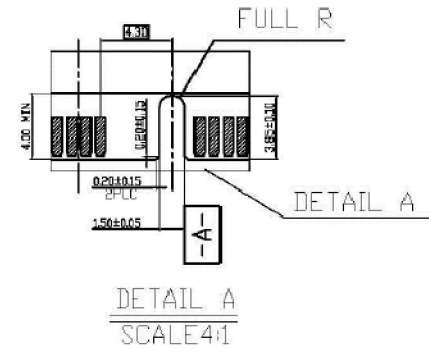
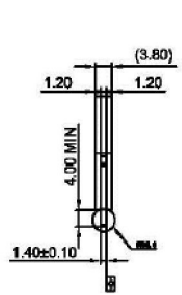
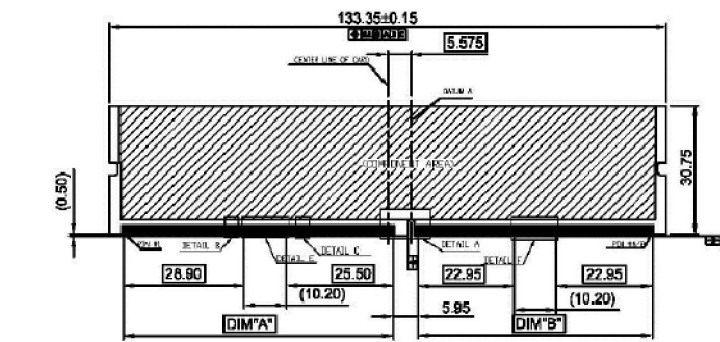


RoHS

REV.	DESCRIPTION	DATE	DWG.	CHKD
0	PROPOSED	13/08/07	B.K	T.H

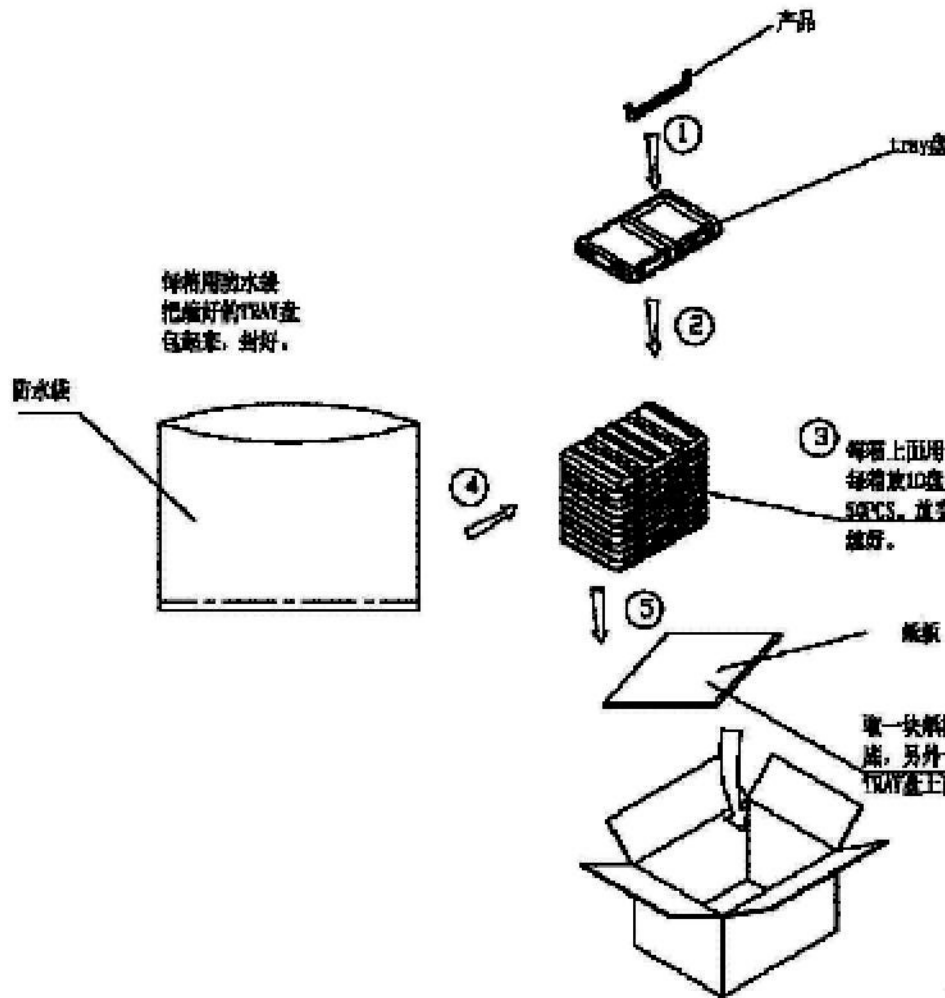


FINISH		NAME		PART NO.	
MATERIAL	*****	NET WEIGHT	COLOR	GENERAL TOLERANCE	UNIT: mm
FIN. TREAT	*****	GROSS WEIGHT	SCALE	±0.2 ±3°	SIZE
CUSTOMER	*****	PART NO.		M40-42287-288XXXXXX	REV. ○
CUSTOMER PART NO.	*****	PROPOSAL NO.			REV. *
美星鴻科技股份有限公司 MSH TECHNOLOGY INC.			NAME		
APP. '13/08/07 CHKD '13/08/07 DWG. '13/08/07 T.HASHIMOTO T.HASHIMOTO B.KA			DDR4 288&284PIN CONNECTOR (For Server)		
				SHEET 2 OF 4	

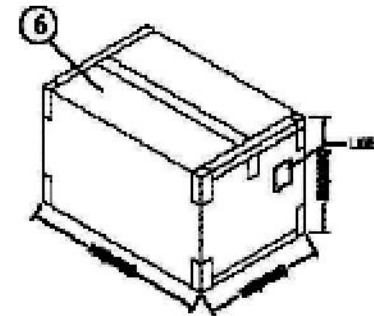
(CUSTOMER DRAWING)

6
RoHS

REV.	DESCRIPTION	DATE	DWG.	CHKD
0	PROPOSED	13/08/07	B.K	T.H



4.08kg	3.28kg	50	12	300	M40-42287-0000000000
毛重	净重	PCS/ TRAY	TRAY/ BOX	PCS/ BOX	PART NUMBER



FINISH		NAME		PART NO.	
MATERIAL	NET WEIGHT	COLOR	GENERAL TOLERANCE	UNIT: mm	
*****			±0.2 ±3°	A3	
FIN. & TREAT	GROSS WEIGHT	SCALE	SIZE	REV. 0	
*****				REV. *	
CUSTOMER	PART NO.		M40-42287-288XXXXXX		
CUSTOMER PART NO.	PROPOSAL NO.				

美星鸿科技股份有限公司 MSH TECHNOLOGY INC.			NAME		
			DDR4 288&284PIN CONNECTOR (For Server)		
APP. '13/08/07	CHKD '13/08/07	DRG. '13/08/07	SHEET 3 OF 4		
T.HASHIMOTO	T.HASHIMOTO	B.KA	(CUSTOMER DRAWING)		