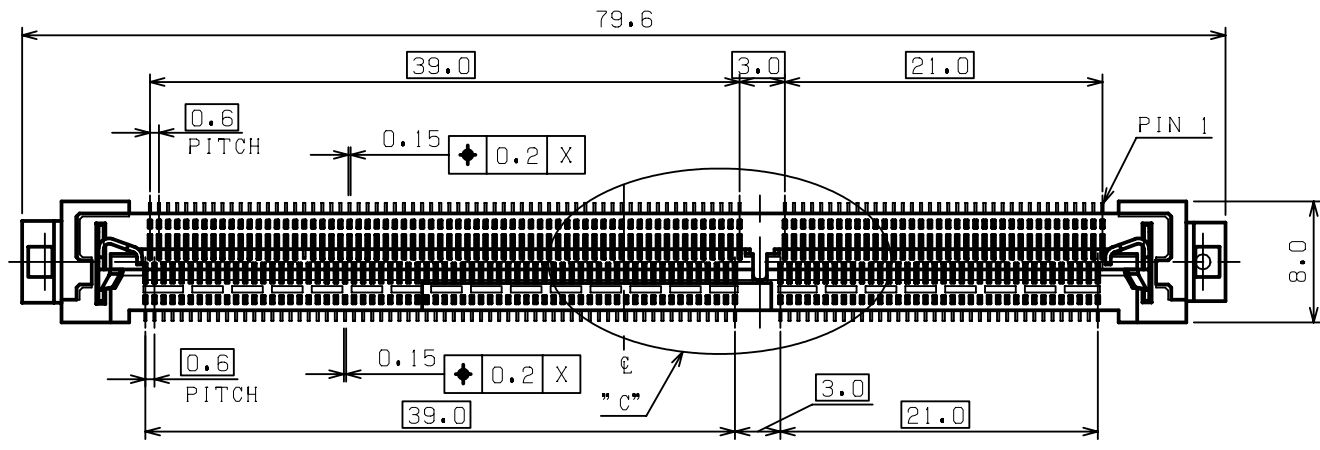
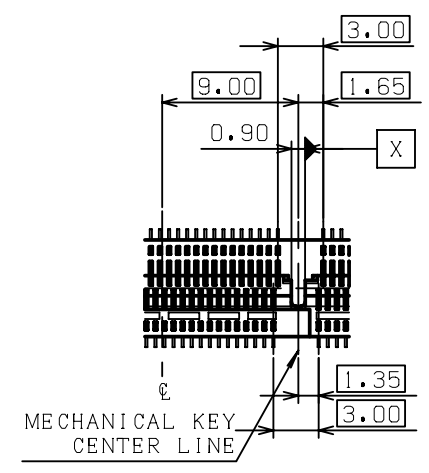
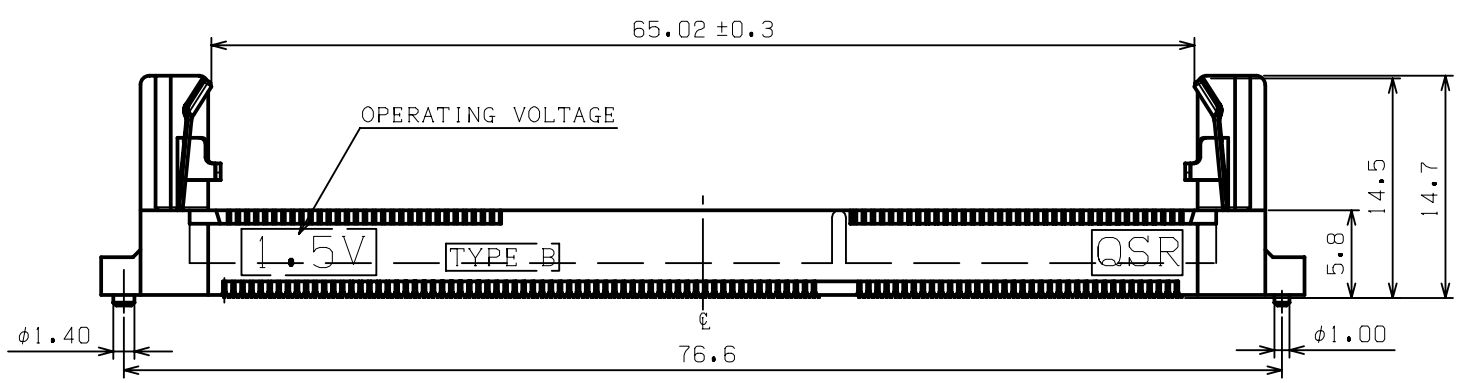


6 5 4 3 2 1



鉛フリー
LEAD FREE

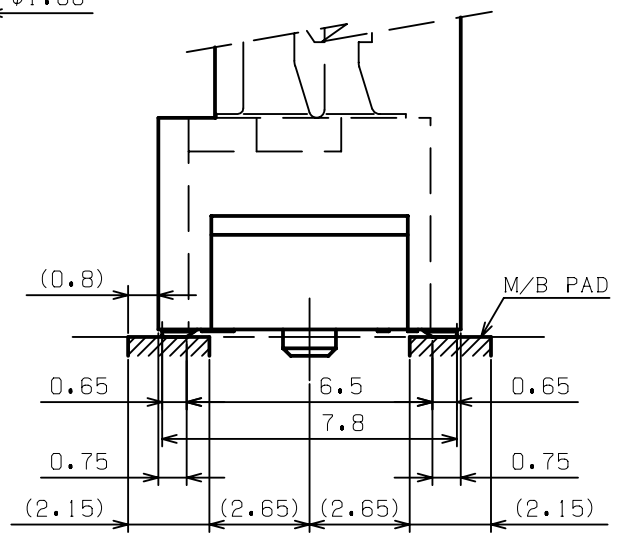
REV.	DESCRIPTION	DATE	DWG.	CHKD
0	PROPOSED	'07.12.20	M.M	M.O
A	REVISED	'08.01.28	M.O	T.H
B	REVISED	'08.03.13	M.O	T.H
C	REVISED	'09.11.12	T.H	S.Y
D	REVISED	'12.05.28	T.H	S.Y



DETAIL C
MECHANICAL KEY TYPE

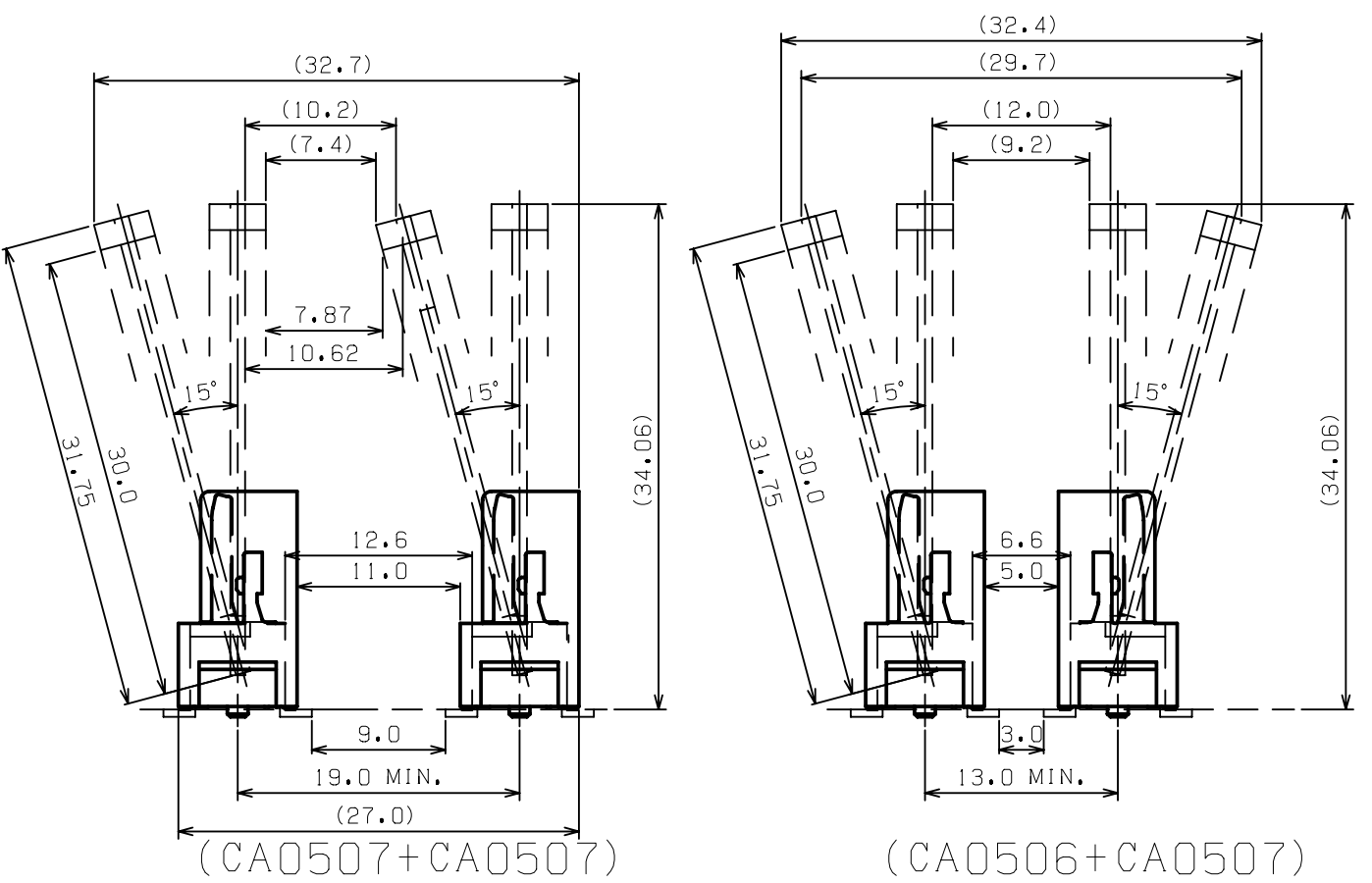
NOTES.

- 材質: ハウジング:LCP樹脂、UL94V-0、色:自然色
 コンタクト:リン青銅
 メタルラッチ:ステンレス
 MATERIAL: HOUSING: LCP, UL94V-0, COLOR: NATURAL
 CONTACT: PHOS-BRO
 METAL LATCH: SUS
- メッキ: コンタクト: 金メッキ (接点部)、ニッケル下地
 PLATING: CONTACT (CONTACT POINT): Au PLATE
 Ni UNDER PLATE
- コネクタを平坦面に置き、端子半田付け部の浮きは、0.1mm以下
 MUST BE MEASURED FLOATING AMOUNT OF CONTACT TAILS
 FROM DATAM SURFACE IS 0.1mm MAX.



コンタクト接地長

公差非累積
TOLERANCES NON-CUMULATIVE



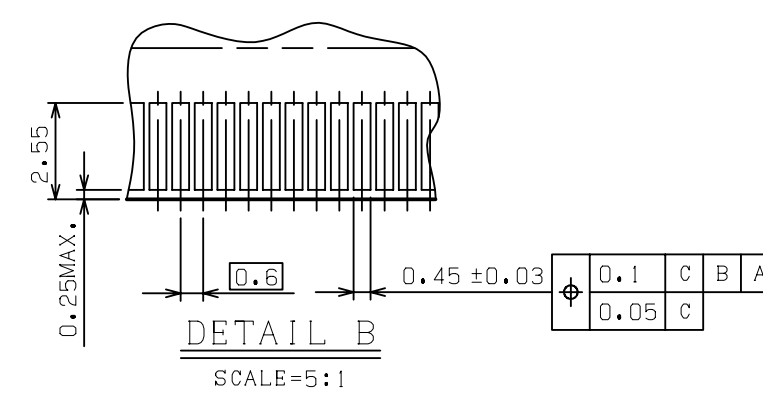
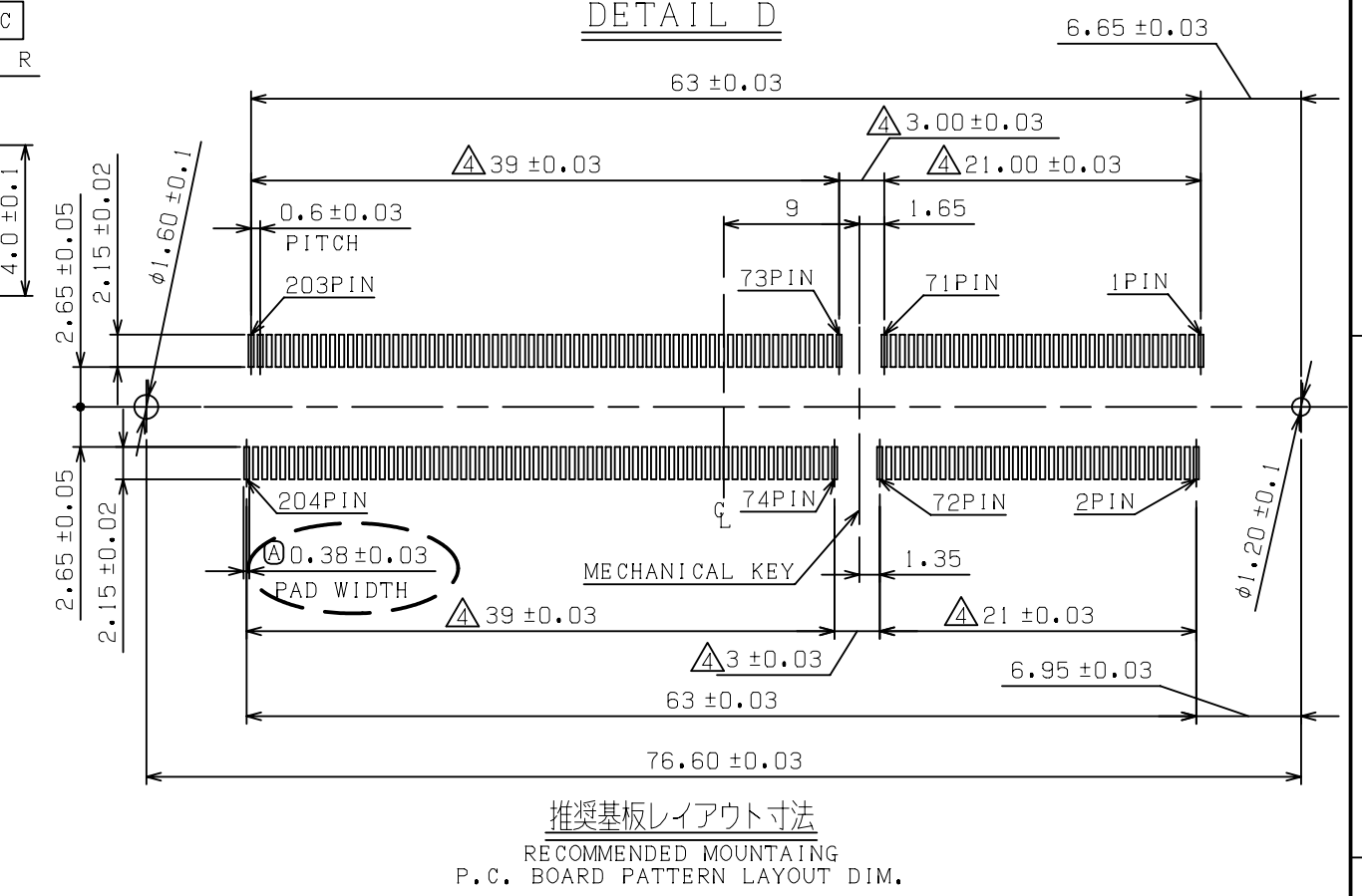
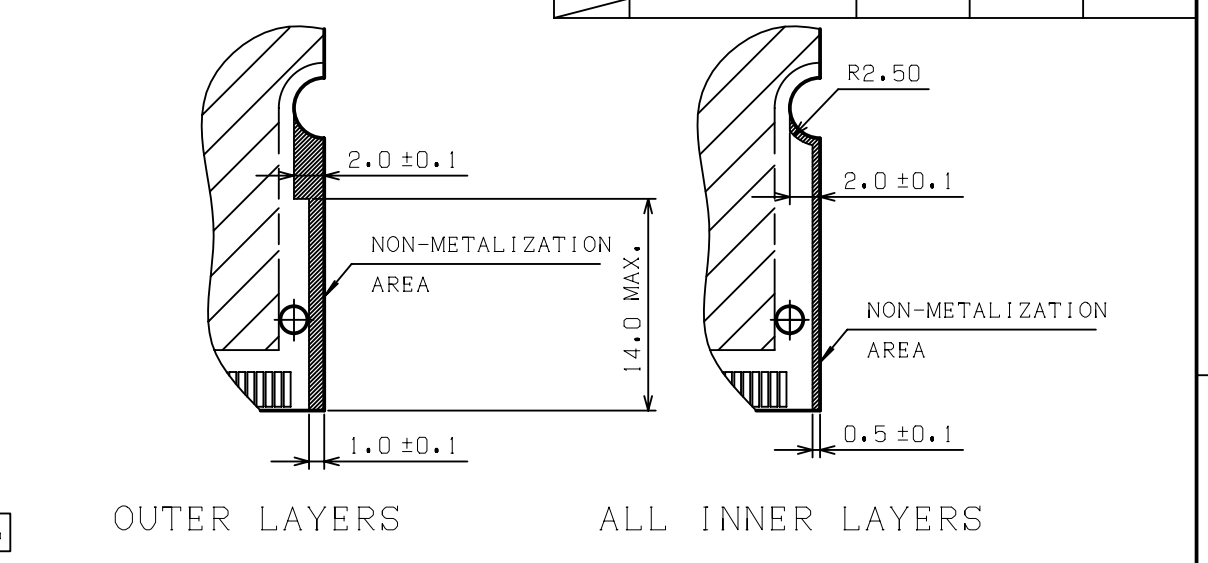
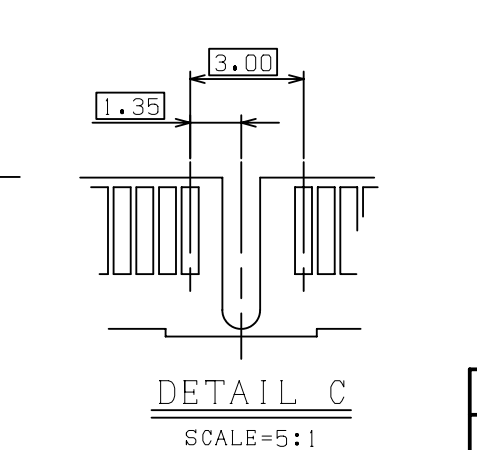
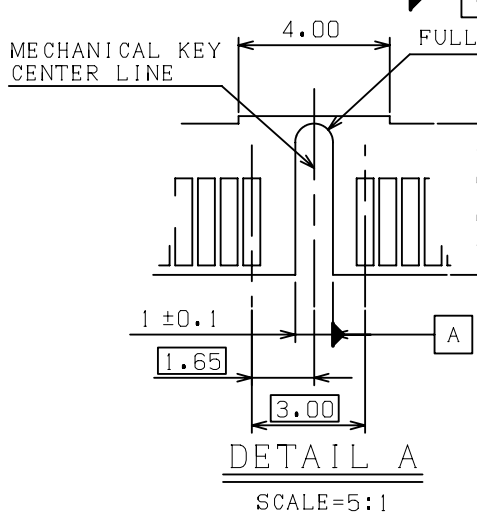
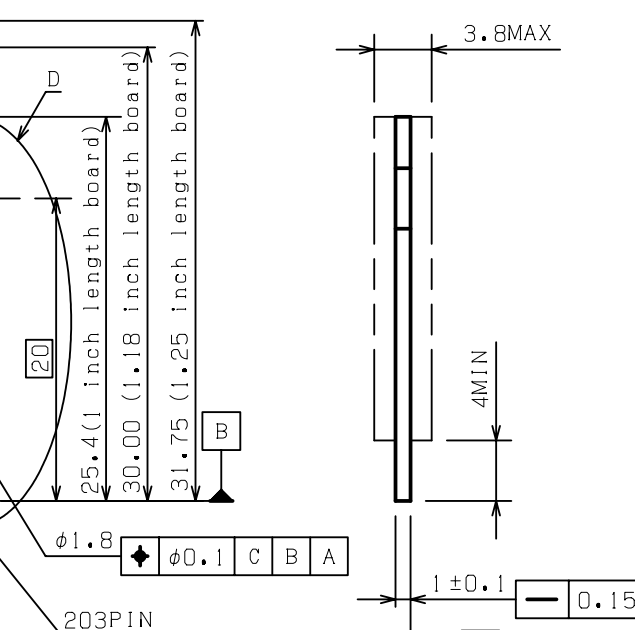
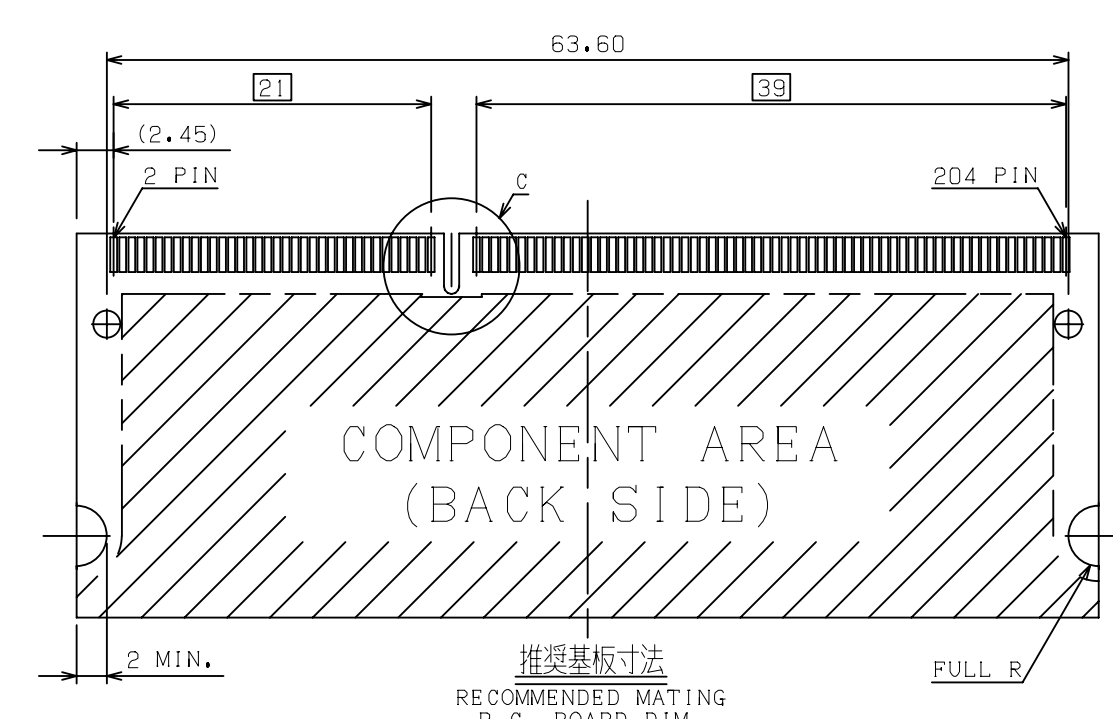
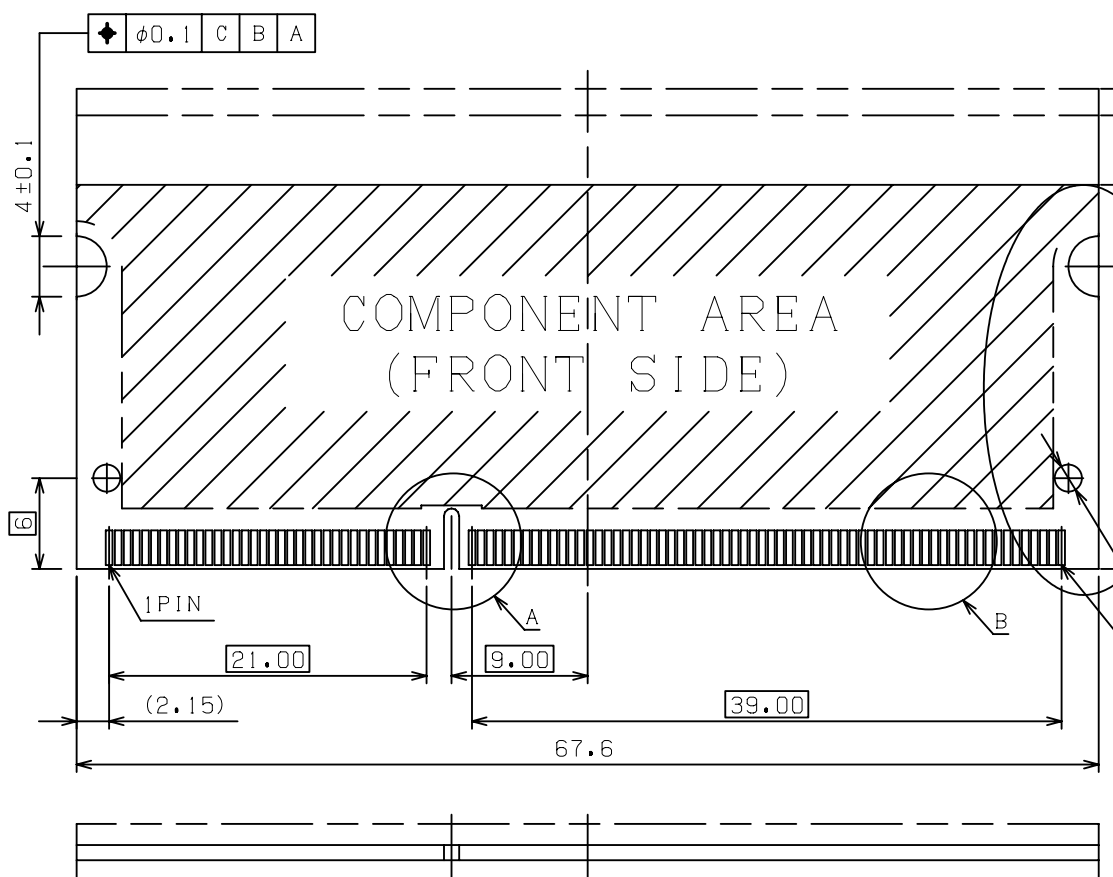
1.5V	CA0507-204N01	CA0507-204N31	CA0507-204N21
POWER SUPPLY	PART NO. OF CONNECTOR	PART NO. OF PACKAGED PRODUCT (WITH HARD TARY)	PART NO. OF PACKAGED PRODUCT (WITH EMBOSS TAPE)

MATERIAL	SEE NOTE	NET WEIGHT	4.6g	COLOR	SEE NOTE	GENERAL TOLERANCE	±0.2 ±3°	UNIT:mm
FIN.&TREAT	SEE NOTE	GROSS WEIGHT	***g	SCALE	2:1	SIZE	A3	
CUSTOMER	*****	PART NO.	CA0507-204N**			REV.	D	
CUSTOMER PART NO.	*****	PROPOSAL NO.	****-***-**-**			REV.	*	
QUASAR TECHNOLOGY				NAME				
				DDR_S.O_DIMM_SOCKET_VERTICAL				
APP.	'07.12.20	CHKD	'07.12.20	DWG.	'07.12.20	(SHEET 1 OF 3)		
S.YAMADA				M.OKADA		TYPE B FOR 204PIN DDR S.O DIMM(DDR3)		

(CUSTOMER DRAWING)

CA0507

REV.	DESCRIPTION	DATE	DWG.	CHKD
	SEE SHEET 1 OF 3			



注記: (SHEET 2 に適用)
NOTES: (APPLIED TO SHEET 2)

- 一般公差±0.15
TOLERANCES ON ALL DIMENSION ±0.15 UNLESS OTHERWISE SPECIFIED.
- 基板厚寸法は、メッキ厚を含む。
P.C. BOARD THICKNESS APPLIES ACROSS TABS AND INCLUDES PLATING AND/OR METALIZATION.
- パット部の仕上げ: ニッケル下地メッキ 0.002MIN. 厚の上、金メッキ 0.000756MIN. 厚を施す。
FINISH OF PAD: GOLD PLATING 0.00076MIN. OVER Ni PLATING 0.002MIN.

NOTE	FINISH	PART NO.	NAME	NO.
MATERIAL	*****	NET WEIGHT	COLOR	GENERAL TOLERANCE
FIN.&TREAT	*****	GROSS WEIGHT	SCALE	SIZE
CUSTOMER	*****	PART NO.	CA0507-204N**	REV. D
CUSTOMER PART NO.	*****	PROPOSAL NO.	****-**-**-**	REV. *
QUASAR TECHNOLOGY		NAME (SHEET 2 OF 3)		
APP. '07.12.20		CHKD '07.12.20	DWG. '07.12.20	DDR S.O DIMM SOCKET VERTICAL TYPE
S.YAMADA		M.OKADA	M.MIKI	TYPE B FOR 204PIN DDR S.O DIMM

CA0507

(CUSTOMER DRAWING)

6

5

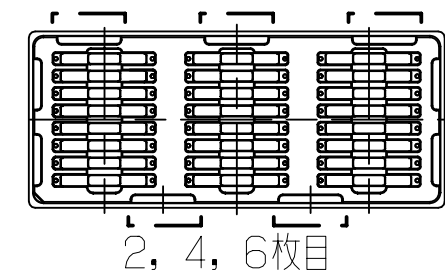
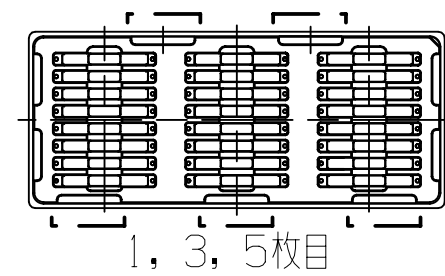
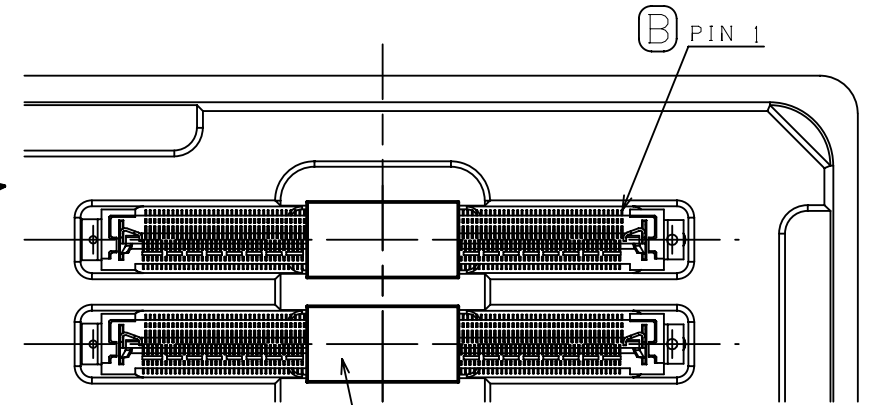
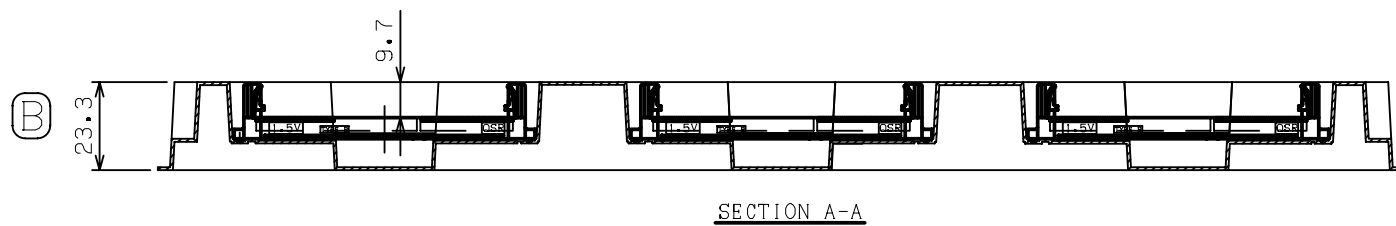
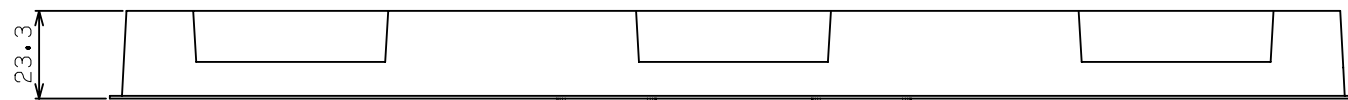
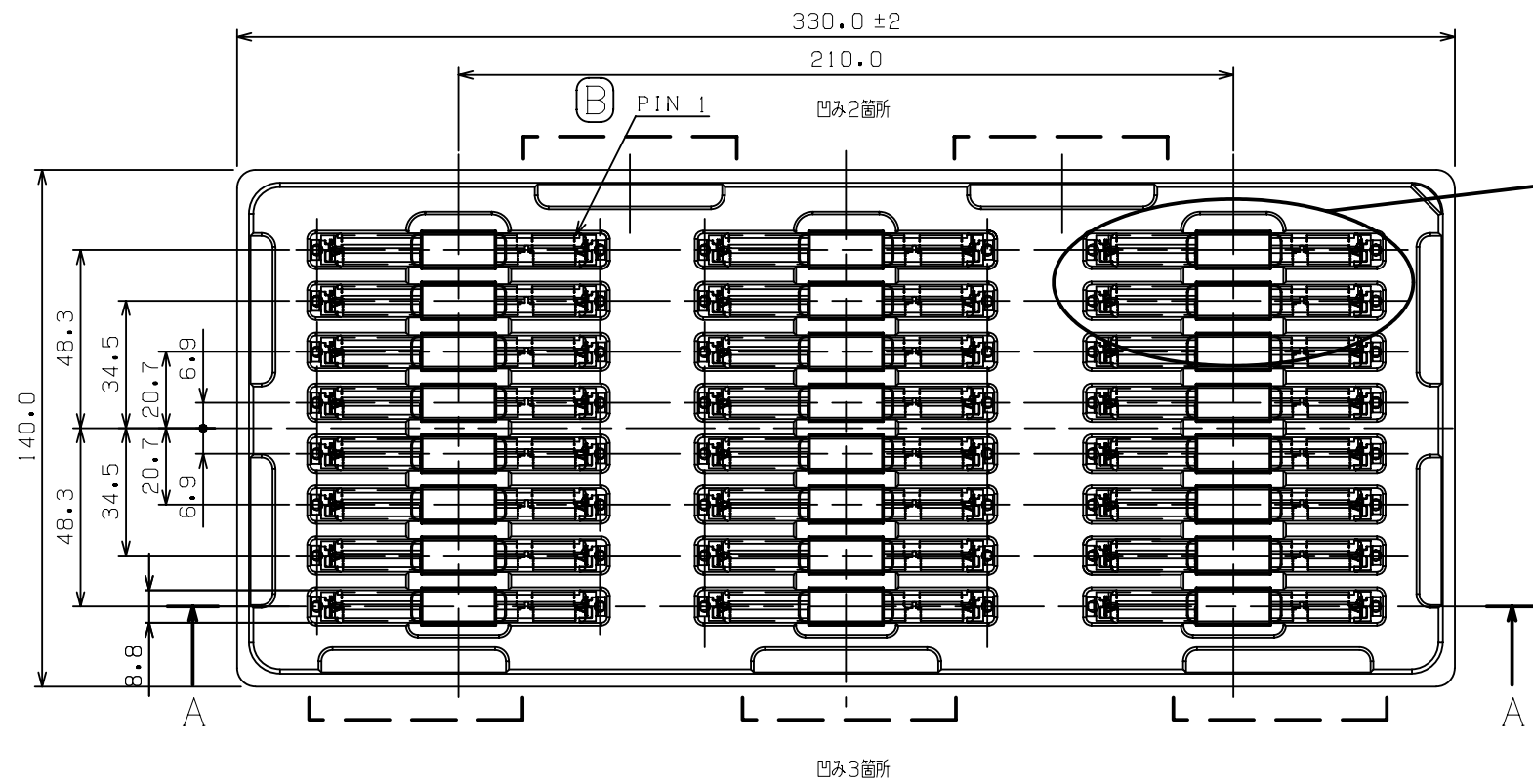
4

3

2

1

REV.	DESCRIPTION	DATE	DWG.	CHKD
SEE SHEET 1 OF 3				



② トレーの向き (製品方向は全て同じ)

MATERIAL	*****	NET WEIGHT	***g	COLOR	*****	GENERAL TOLERANCE	±0.5 ±3°	UNIT:mm
FIN.&TREAT	*****	GROSS WEIGHT	***g	SCALE	*/*	SIZE	A3	
CUSTOMER	*****	PART NO.		CA0507-204N**		REV.	D	A
CUSTOMER PART NO.	*****	PROPOSAL NO.		****-**-**-**		REV.	*	
QUASAR TECHNOLOGY				NAME		(SHEET 3 OF 3)		
APP.	'07.12.20	CHKD	'07.12.20	DWG.	'07.12.20	DDR S.O DIMM SOCKET VERTICAL TYPE		
S.YAMADA		M.OKADA		M.MIKI		TYPE B FOR 204PIN DDR S.O DIMM		

(CUSTOMER DRAWING)

CA0507