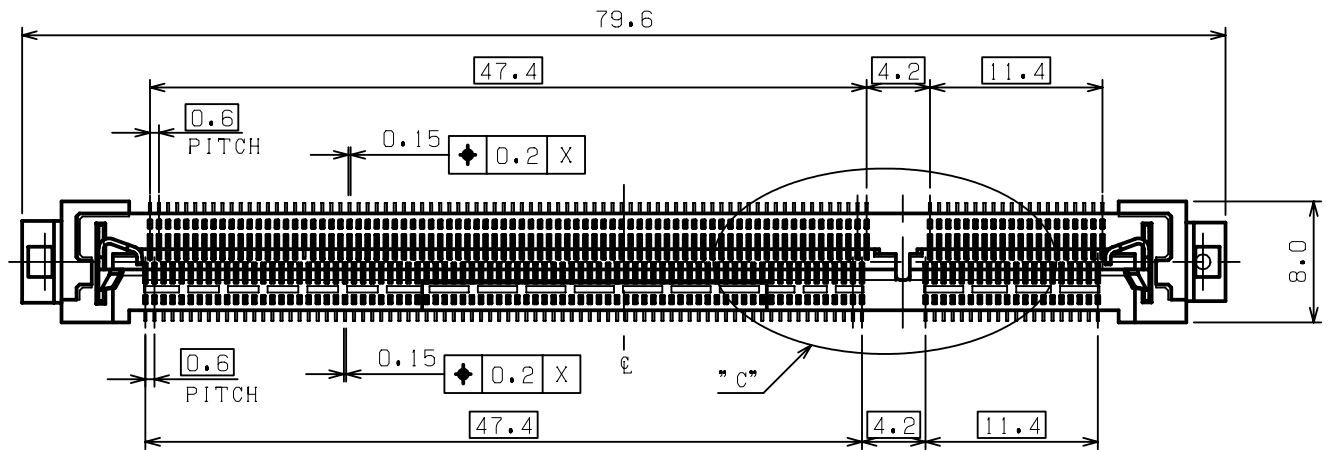
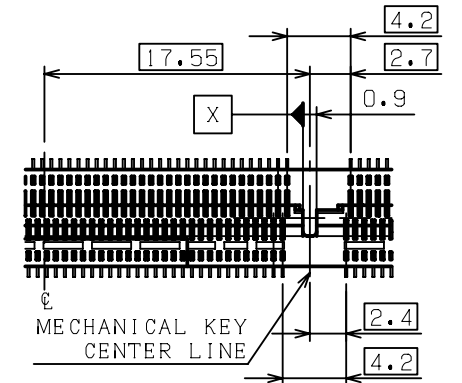
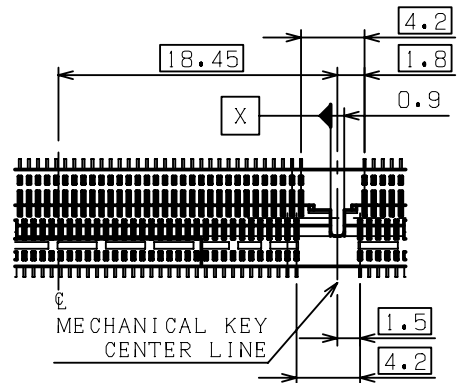
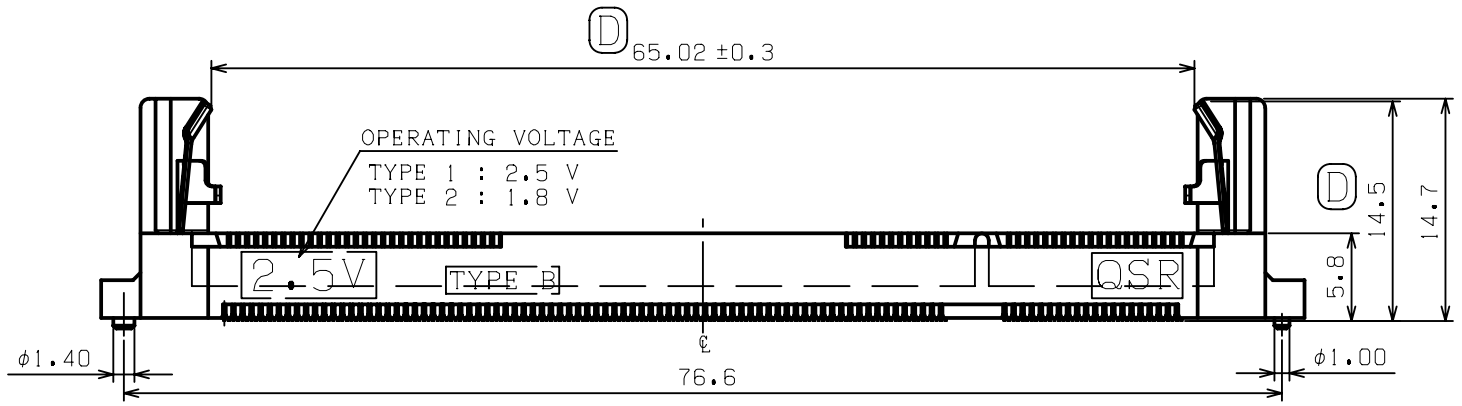


6 5 4 3 2 1



鉛フリー
LEAD FREE

REV.	DESCRIPTION	DATE	DWG.	CHKD
0	PROPOSED	'06.09.04	M.O	T.H
A	REVISED	'06.12.01	M.O	T.H
B	REVISED	'06.12.27	M.O	T.H
C	REVISED	'07.01.19	M.O	T.H
D	REVISED	'07.06.08	M.O	T.H
E	ADD DIM	'07.10.16	M.O	T.H
F	REVISED	'09.03.09	T.H	S.Y



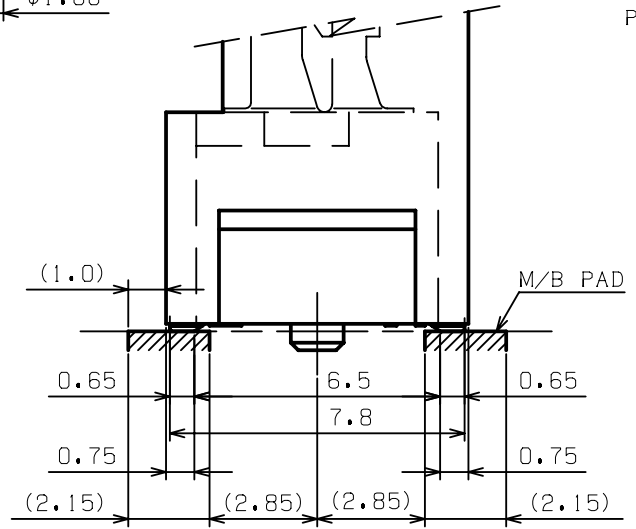
TYPE 1
POWER SUPPLY 2.5 V
(CA0411-200N01)

TYPE 2
POWER SUPPLY 1.8 V
(CA0411-200N02)

DETAIL C
MECHANICAL KEY TYPE

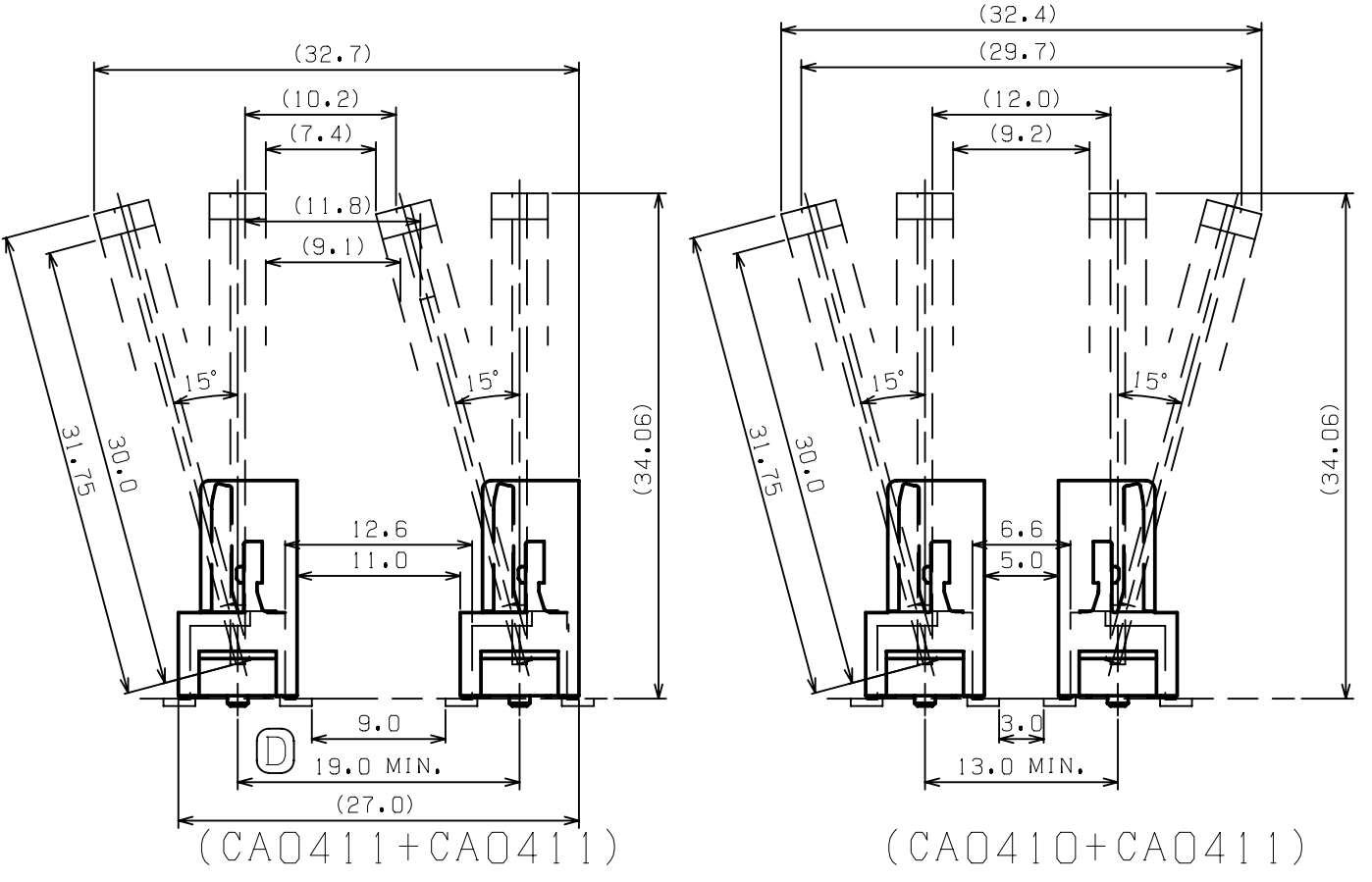
NOTES.

- 材質: ハウジング: LCP樹脂, UL94V-0、色: 自然色
 コンタクト: リン青銅
 メタルラッチ: ステンレス
 MATERIAL: HOUSING: LCP, UL94V-0, COLOR: NATURAL
 CONTACT: PHOS-BRO
 METAL LATCH: SUS
 - メッキ: コンタクト: 金メッキ (接点部)、ニッケル下地
 PLATING: CONTACT (CONTACT POINT): Au PLATE
 Ni UNDER PLATE
- △ コネクタを平坦面に置き、端子半田付け部の浮きは、0.1mm以下
 MUST BE MEASURED FLOATING AMOUNT OF CONTACT TAILS
 FROM DATAM SURFACE IS 0.1mm MAX.



ⓔ コンタクト接地長

△ 公差非累積
TOLERANCES NON-CUMULATIVE



1.8V	Ⓐ TYPE 2	CA0411-200N02	CA0411-200N32
2.5V	Ⓐ TYPE 1	CA0411-200N01	CA0411-200N31
POWER SUPPLY	KEY TYPE	PART NO. OF CONNECTOR	PART NO. OF PACKAGED PRODUCT (WITH HARD TARY)

MATERIAL	SEE NOTE	NET WEIGHT	4.6g	COLOR	SEE NOTE	GENERAL TOLERANCE	±0.2 ±3°	UNIT:mm
FIN.&TREAT	SEE NOTE	GROSS WEIGHT	***g	SCALE	2:1	SIZE	A3	
CUSTOMER	*****	PART NO.	CA0411-200N**			REV.	F	
CUSTOMER PART NO.	*****	PROPOSAL NO.	****-***-**-**			REV.	*	
QUASAR TECHNOLOGY				NAME: <u>DDR_S.O_DIMM_SOCKET_VERTICAL</u> (SHEET 1 OF 3)				
APP.	'06.09.04	CHKD	'06.09.04	DWG.	'06.09.04	Ⓐ TYPE B FOR 200PIN DDR S.O DIMM		
S.YAMADA		T.HASHIMOTO		M.OKADA				

(CUSTOMER DRAWING)

CA0411

6

5

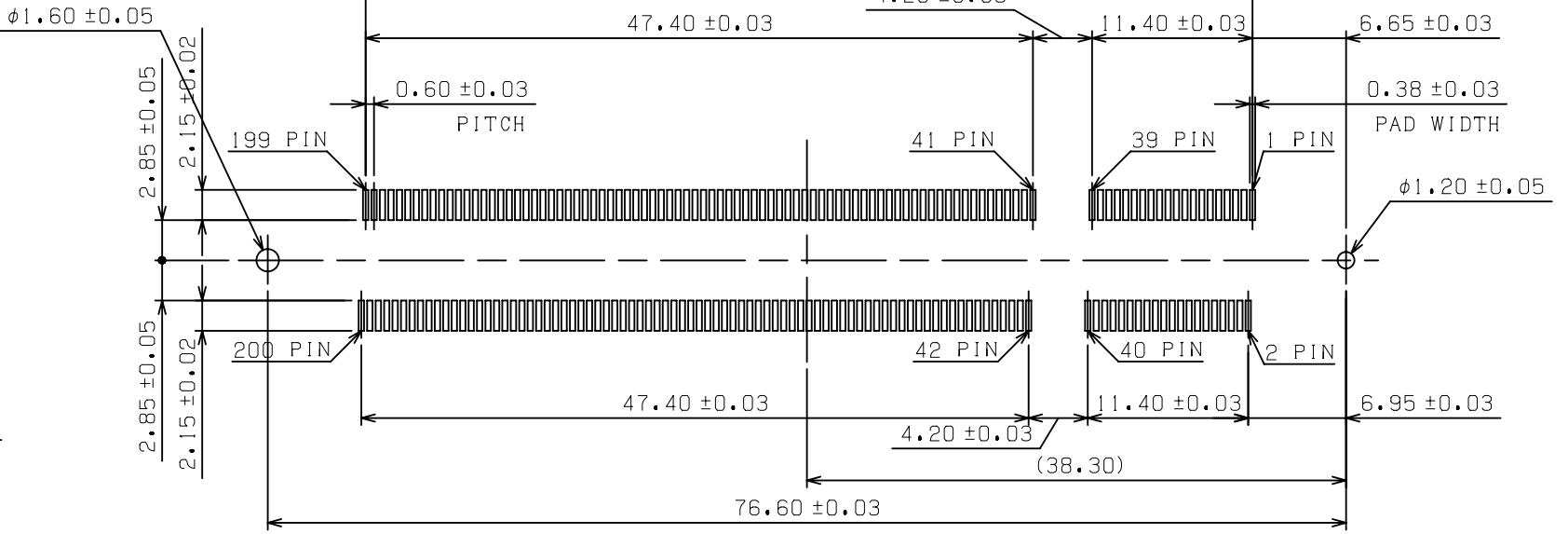
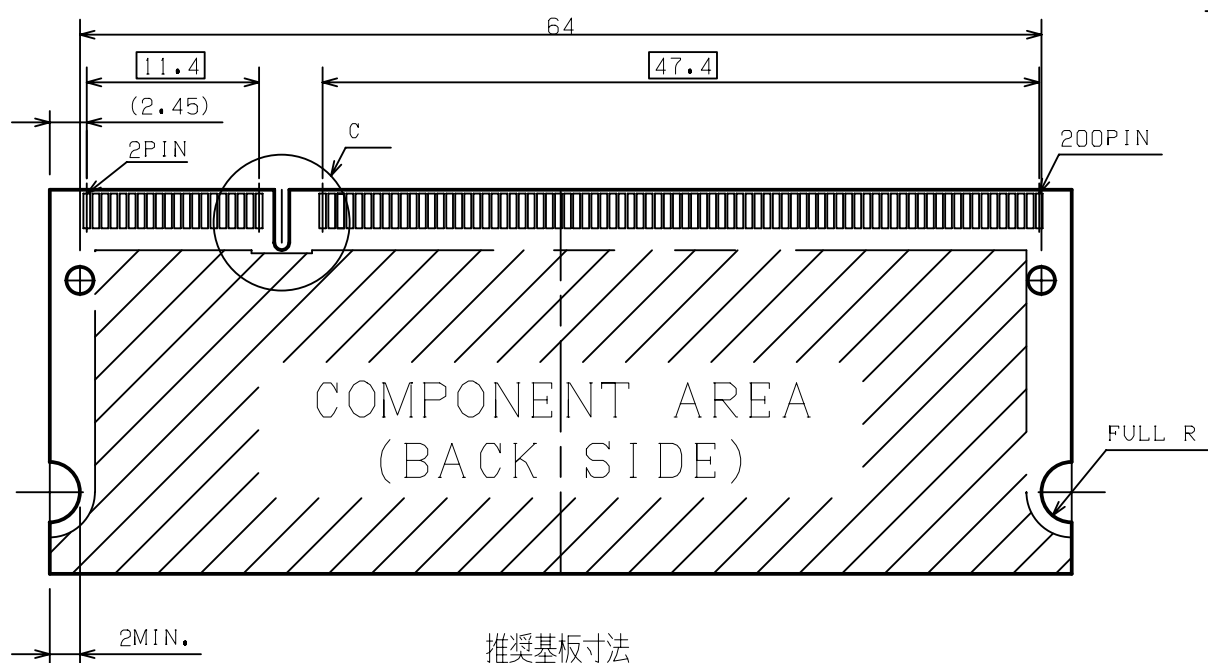
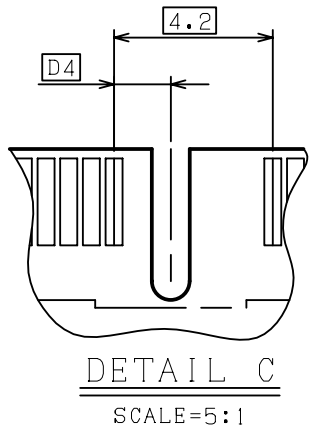
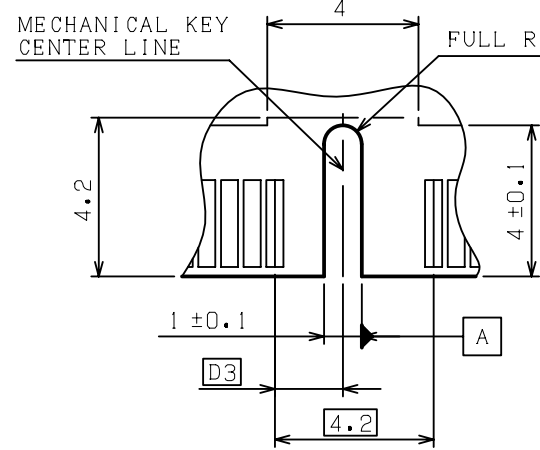
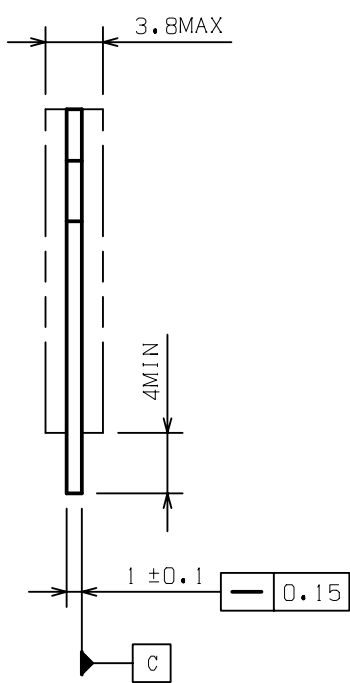
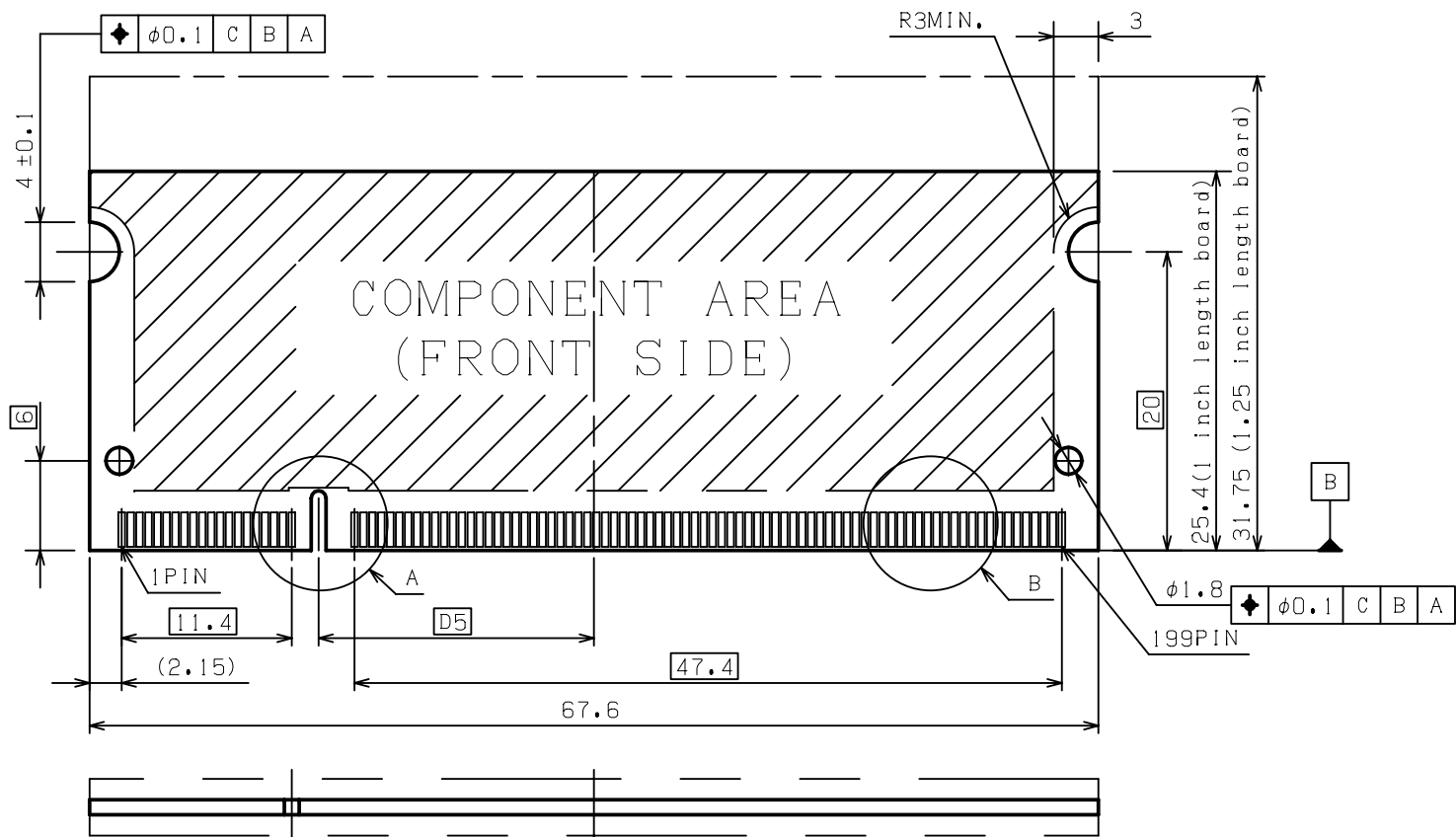
4

3

2

1

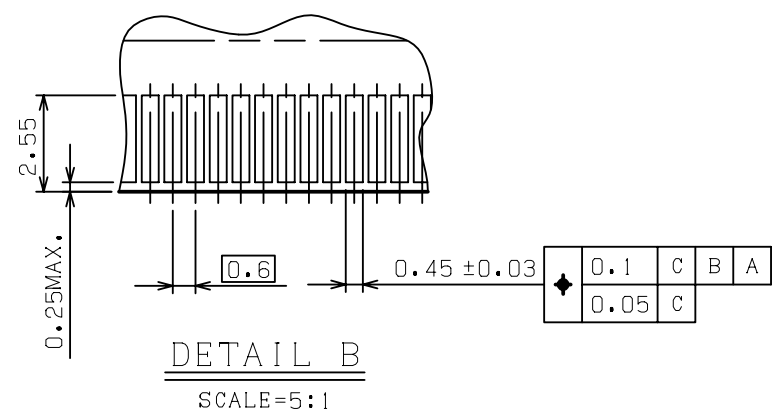
REV.	DESCRIPTION	DATE	DWG.	CHKD
	SEE SHEET 1 OF 3			



推奨基板寸法
RECOMMENDED MOUNTING P.C. BOARD DIM.

推奨基板レイアウト寸法
RECOMMENDED MOUNTING P.C. BOARD PATTERN LAYOUT DIM.

1.8V	17.55	2.4	2.7
2.5V	18.45	1.5	1.8
POWER SUPPLY	D5	D4	D3



注記: (SHEET 2 に適用)
NOTES: (APPLIED TO SHEET 2)

- 一般公差 ± 0.15
TOLERANCES ON ALL DIMENSION ± 0.15 UNLESS OTHERWISE SPECIFIED.
- 基板厚寸法は、メッキ厚を含む。
P.C. BOARD THICKNESS APPLIES ACROSS TABS AND INCLUDES PLATING AND/OR METALIZATION.
- パット部の仕上げ: ニッケル下地メッキ 0.002MIN. 厚の上に、金メッキ 0.000756MIN. 厚を施す。
FINISH OF PAD: GOLD PLATING 0.00076MIN. OVER Ni PLATING 0.002MIN.

NOTE	FINISH	PART NO.	NAME	NO.
MATERIAL *****	NET WEIGHT ***g	COLOR *****	GENERAL TOLERANCE ±0.2 ±3°	UNIT:mm
FIN.&TREAT *****	GROSS WEIGHT ***g	SCALE 2:1	SIZE A3	
CUSTOMER *****	PART NO. CA0411-200N**	REV. F		
CUSTOMER PART NO. *****	PROPOSAL NO. ****-**-**-**	REV. *		
QUASAR TECHNOLOGY		NAME (SHEET 2 OF 3)		
APP. '06.09.04 S.YAMADA	CHKD '06.09.04 T.HASHIMOTO	DWG. '06.09.04 M.OKADA	DDR S.O DIMM SOCKET VERTICAL	
			TYPE B FOR 200PIN DDR S.O DIMM	

CA0411

(CUSTOMER DRAWING)

6

5

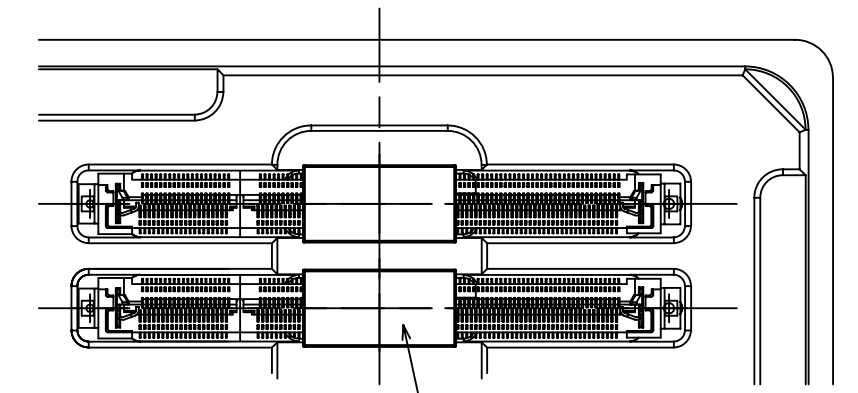
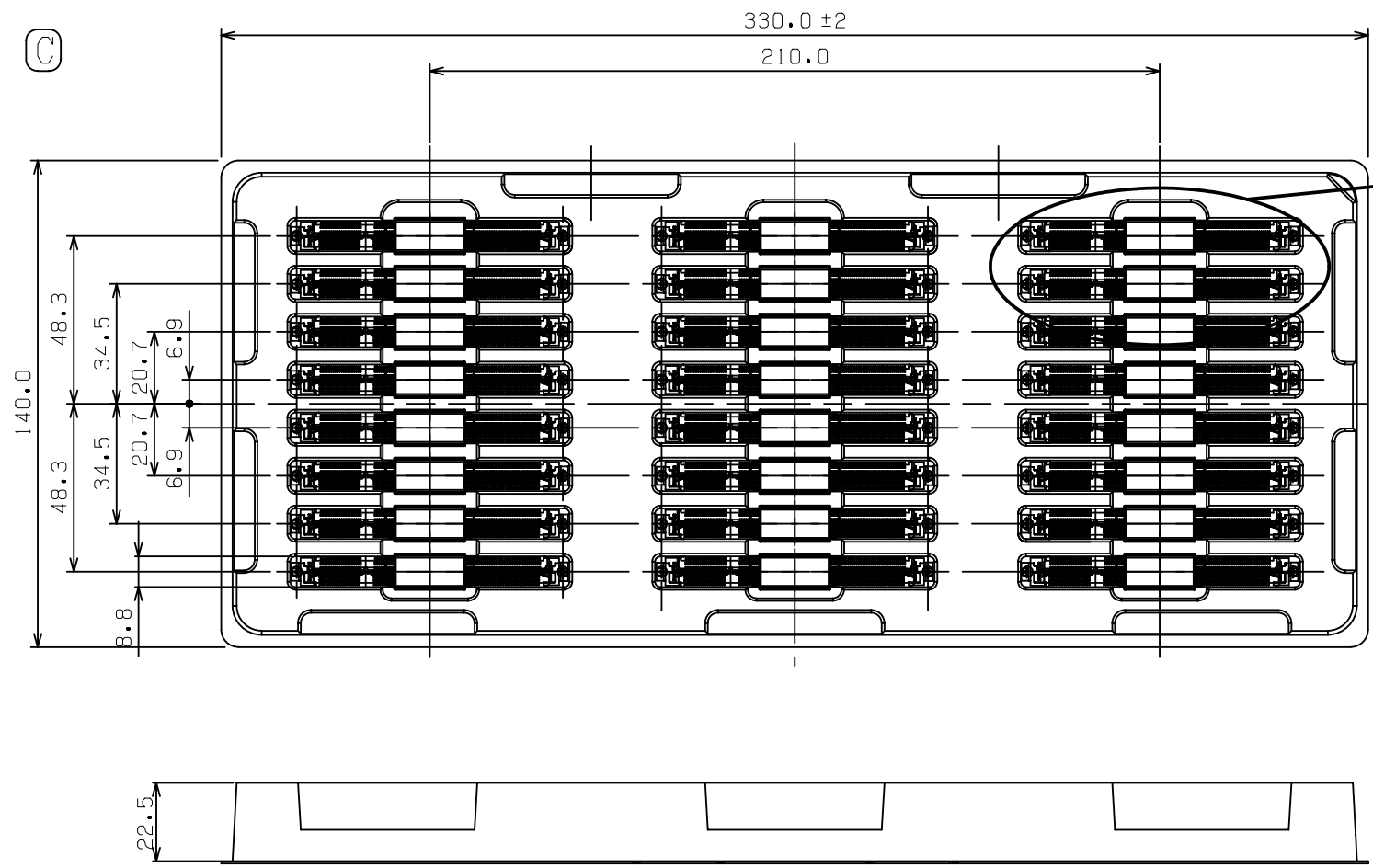
4

3

2

1

REV.	DESCRIPTION	DATE	DWG.	CHKD
	SEE SHEET 1 OF 3			



吸着実装用テープ、サイズ：10×20mm
TAPE, SIZE: 10X20mm

③

24	TYPE 2	CA0411-200N02	CA0411-200N32
24	TYPE 1	CA0411-200N01	CA0411-200N31
QTY.	KEY TYPE	PART NO. OF CONNECTOR	PART NO. OF PACKAGED PRODUCT (WITH SOFT TARY)

MATERIAL	*****	NET WEIGHT	***g	COLOR	*****	GENERAL TOLERANCE	±0.2 ±3°	UNIT:mm
FIN.&TREAT	*****	GROSS WEIGHT	***g	SCALE	*/*	SIZE	A3	
CUSTOMER	*****	PART NO.		CA0411-200N**		REV.	F	
CUSTOMER PART NO.	*****	PROPOSAL NO.		****-**-**-**		REV.	*	
QUASAR TECHNOLOGY				NAME		(SHEET 3 OF 3)		
APP.	'06.09.04	CHKD	'06.09.04	DWG.	'06.09.04	DDR S.O DIMM SOCKET VERTICAL		
S.YAMADA		T.HASHIMOTO		M.OKADA		TYPE B FOR 200PIN DDR S.O DIMM		

(CUSTOMER DRAWING)

CA0411