

6

5

4

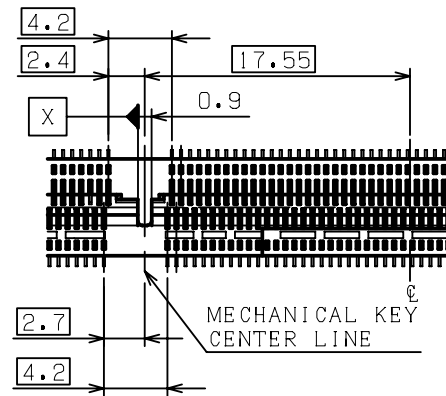
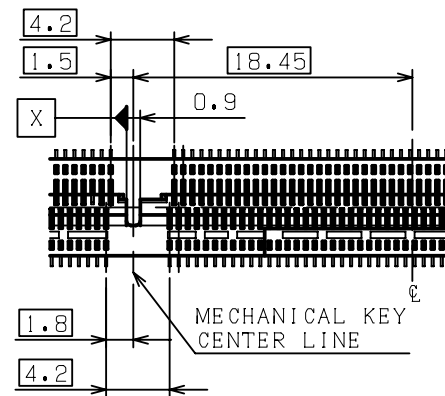
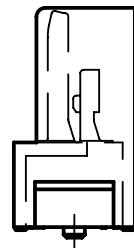
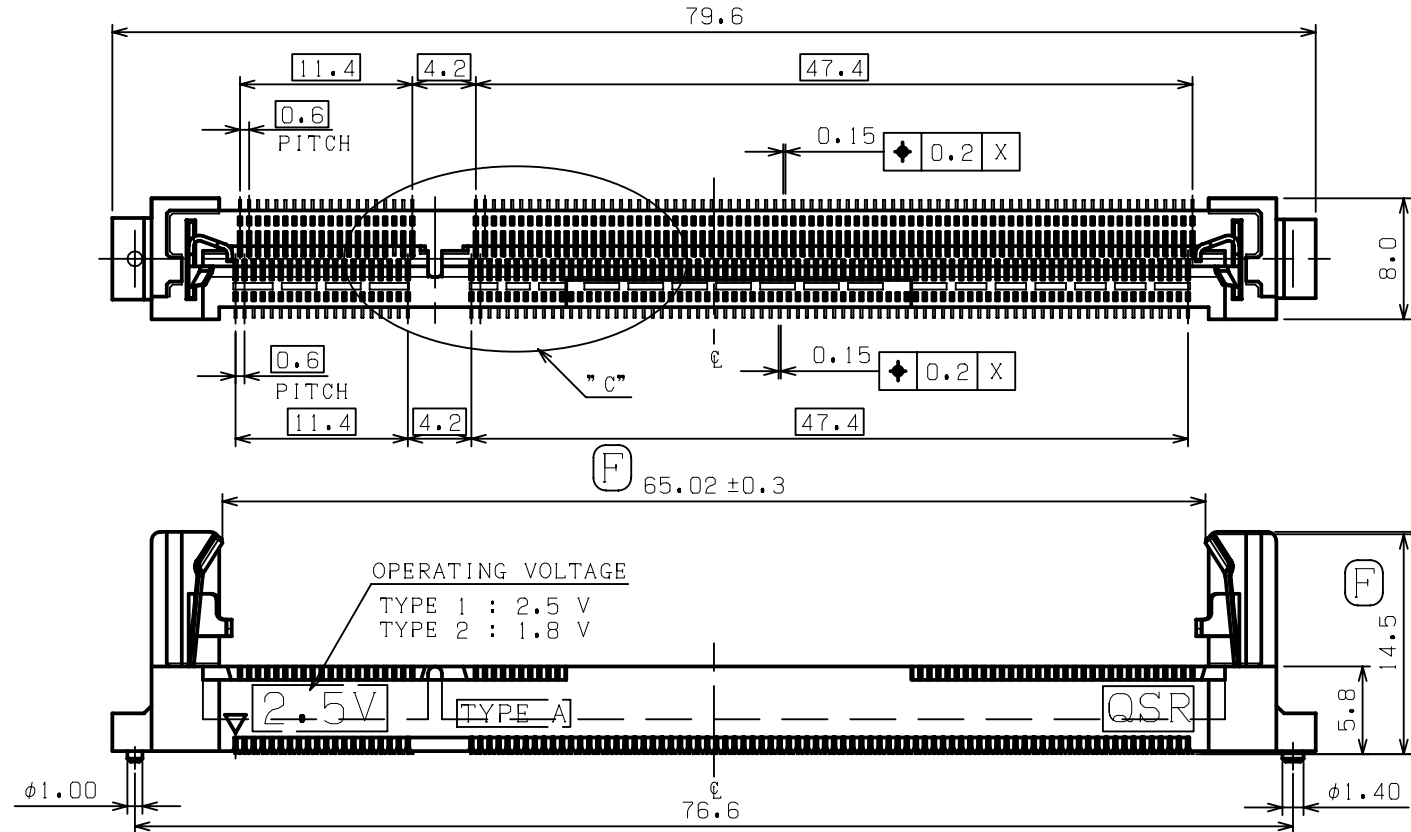
3

2

1

REV.	DESCRIPTION	DATE	DWG.	CHKD
0	PROPOSED	'06.06.22	M.O	T.H
A	REVISED	'06.07.25	M.O	T.H
B	REVISED	'06.09.04	M.O	T.H
C	REVISED	'06.12.01	M.O	T.H
D	REVISED	'06.12.27	M.O	T.H
E	REVISED	'07.01.19	M.O	T.H
F	REVISED	'07.06.08	M.O	T.H
G	ADD DIM	'07.10.16	M.O	T.H
H	ADD DIM	'09.03.09	T.H	S.Y

鉛フリー
LEAD FREE



TYPE 1
POWER SUPPLY 2.5 V
(CA0410-200N01)

TYPE 2
POWER SUPPLY 1.8 V
(CA0410-200N02)

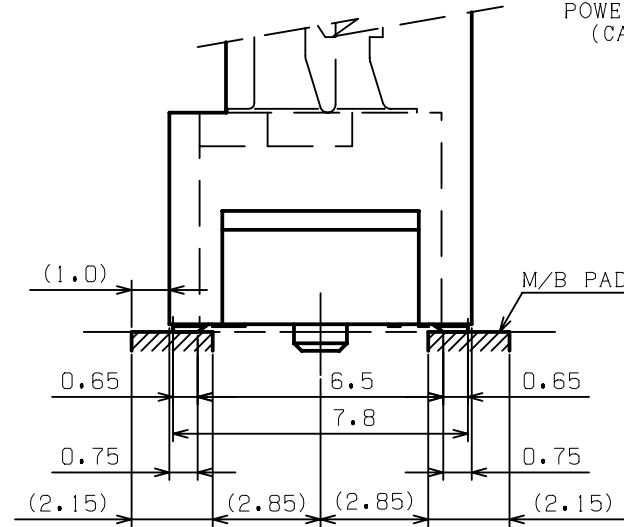
DETAIL C
MECHANICAL KEY TYPE

NOTES.

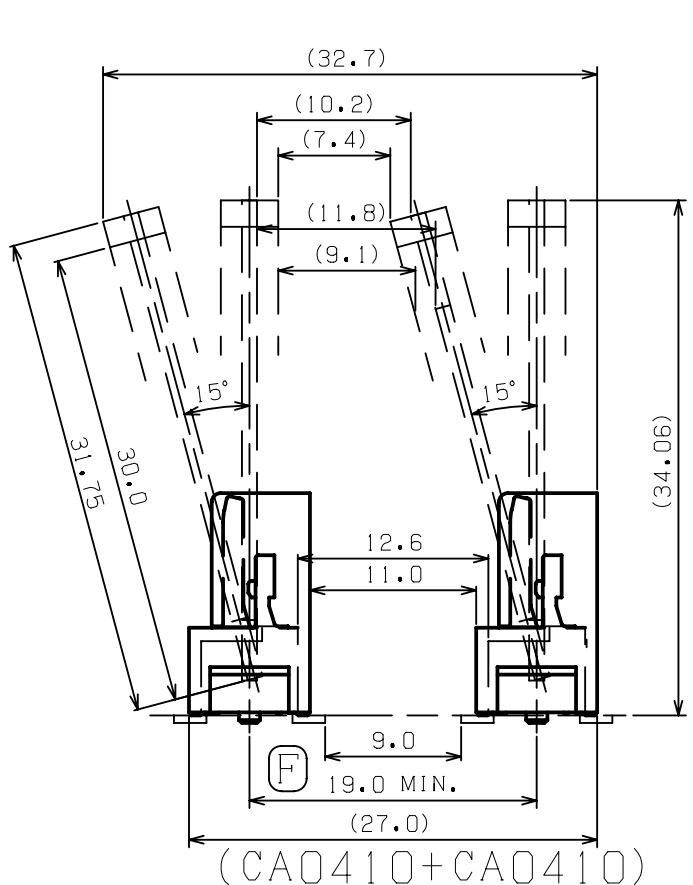
- 1. 材質: ハウジング: LCP樹脂, UL94V-0、色: 自然色
 コンタクト: リン青銅
 メタルラッチ: ステンレス
 MATERIAL: HOUSING: LCP, UL94V-0, COLOR: NATURAL
 CONTACT: PHOS-BRO
 METAL LATCH: SUS
- 2. メッキ: コンタクト: 金メッキ (接点部)、ニッケル下地
 PLATING: CONTACT (CONTACT POINT): Au PLATE
 Ni UNDER PLATE

3. コネクタを平坦面に置き、端子半田付け部の浮きは、0.1mm以下
 MUST BE MEASURED FLOATING AMOUNT OF CONTACT TAILS
 FROM DATAM SURFACE IS 0.1mm MAX.

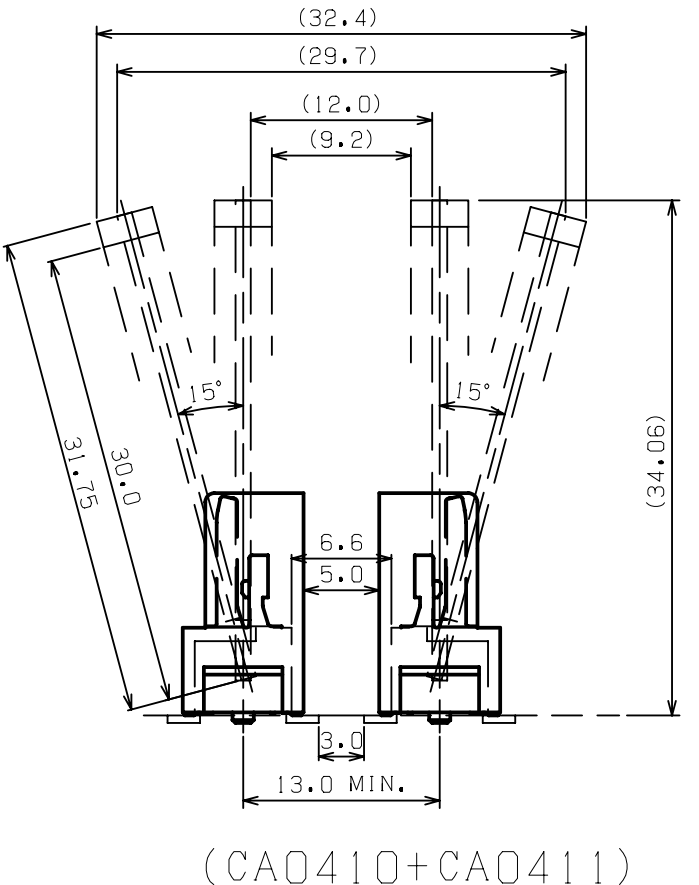
4. 公差非累積
 TOLERANCES NON-CUMULATIVE



G コンタクト接地長



(CA0410+CA0410)



(CA0410+CA0411)

推奨 SOCKET レイアウト寸法

1.8V	TYPE 2	CA0410-200N02	CA0410-200N32
2.5V	TYPE 1	CA0410-200N01	CA0410-200N31
POWER SUPPLY	KEY TYPE	PART NO. OF CONNECTOR	PART NO. OF PACKAGED PRODUCT (WITH HARD TARY)

MATERIAL	SEE NOTE	NET WEIGHT	4.6g	COLOR	SEE NOTE	GENERAL TOLERANCE	±0.2 ±3°	UNIT:mm
FIN.&TREAT	SEE NOTE	GROSS WEIGHT	***g	SCALE	2:1	SIZE	A3	
CUSTOMER	*****	PART NO.	CA0410-200N**			REV.	H	
CUSTOMER PART NO.	*****	PROPOSAL NO.	****-**-**-**			REV.	*	
QUASAR TECHNOLOGY		NAME		DDR_S.O_DIMM_SOCKET_VERTICAL				
APP. '06.06.22	CHKD '06.06.22	DWG. '06.06.22	TYPE A FOR 200PIN DDR S.O DIMM					
S.YAMADA	T.HASHIMOTO	M.OKADA	(CUSTOMER DRAWING)					

CA0410

6

5

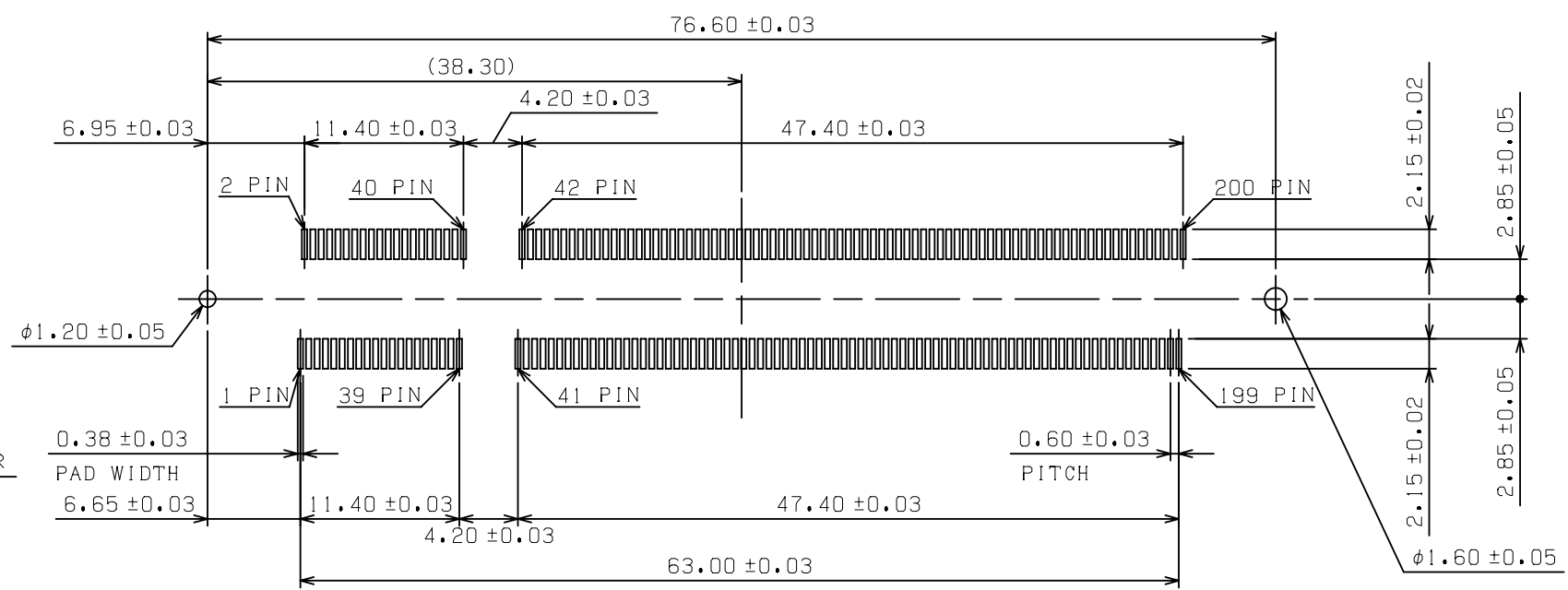
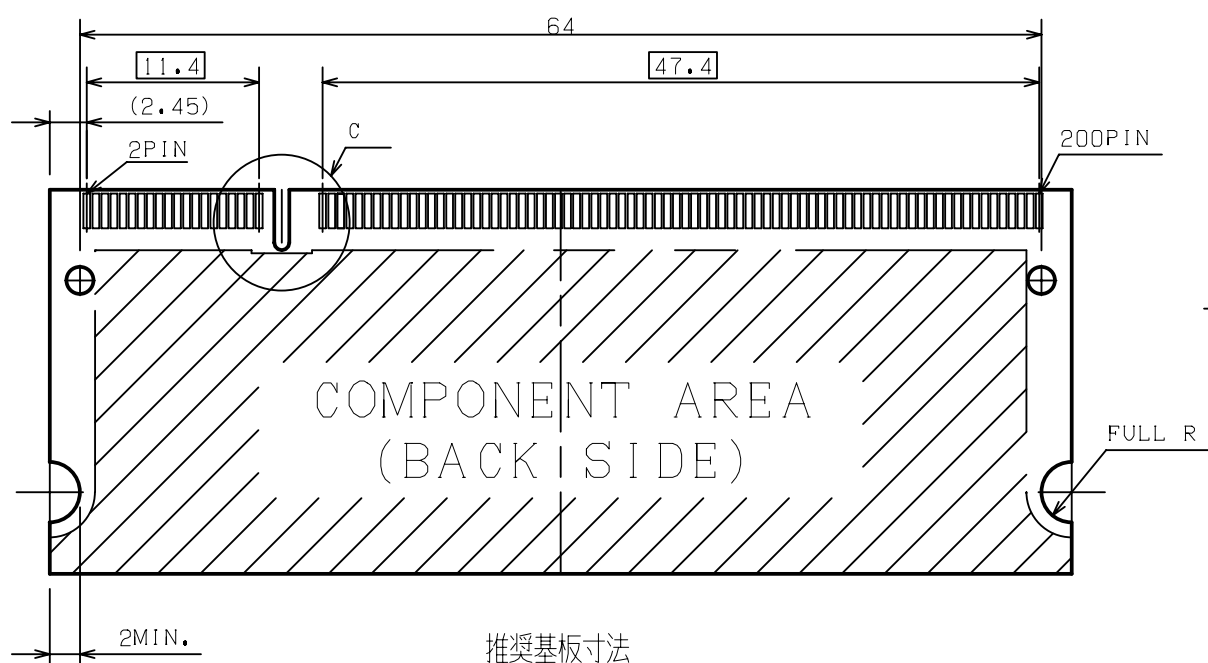
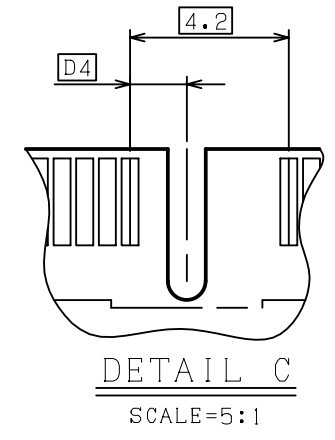
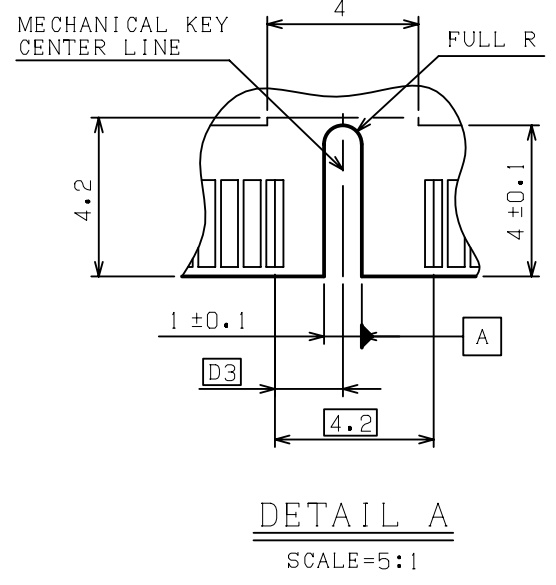
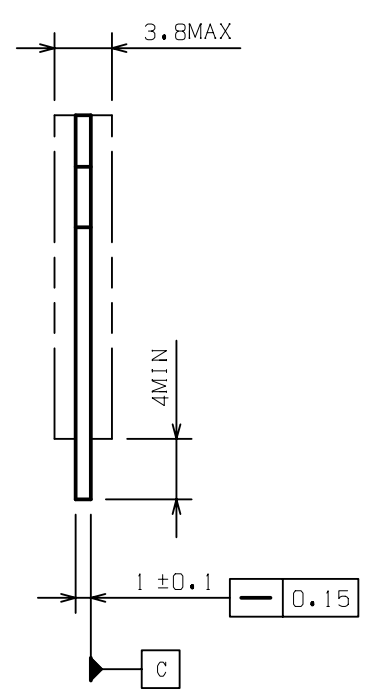
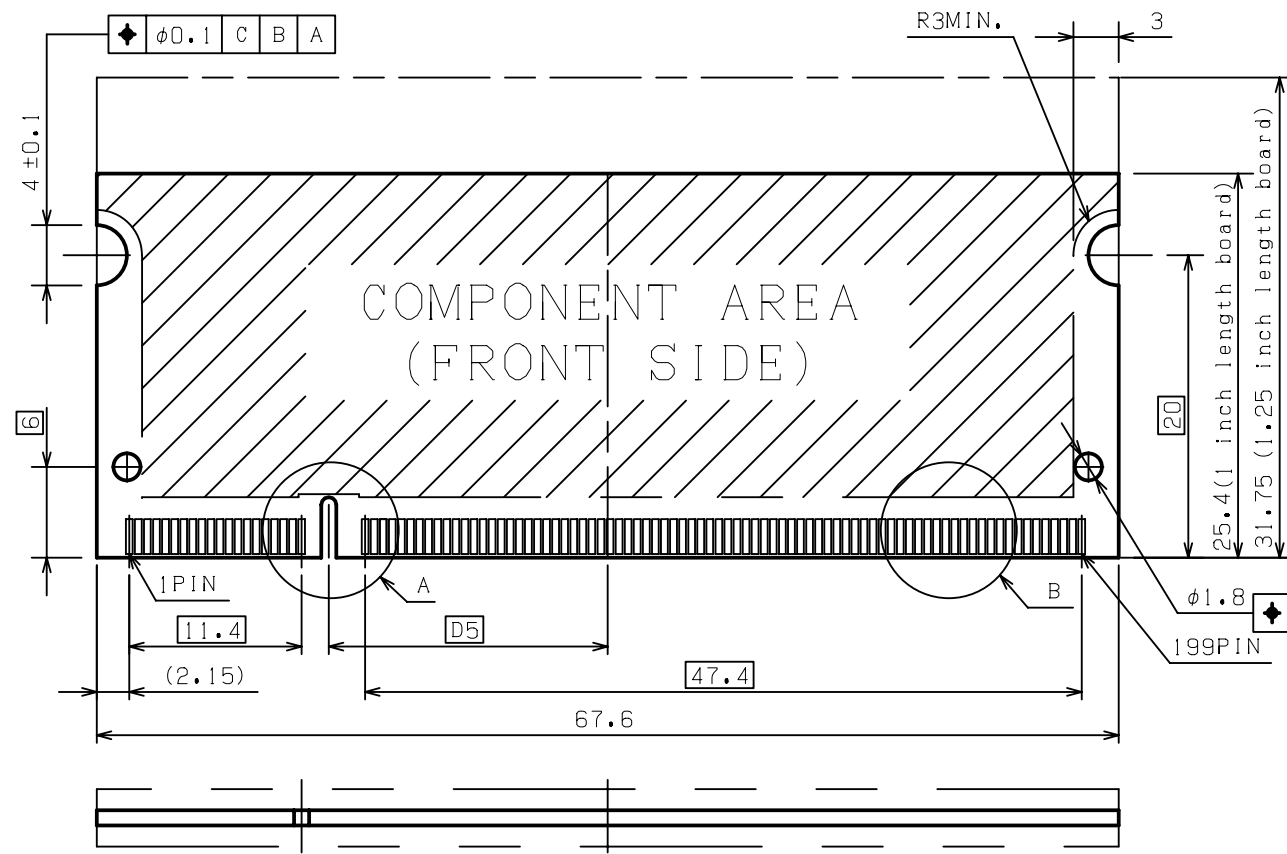
4

3

2

1

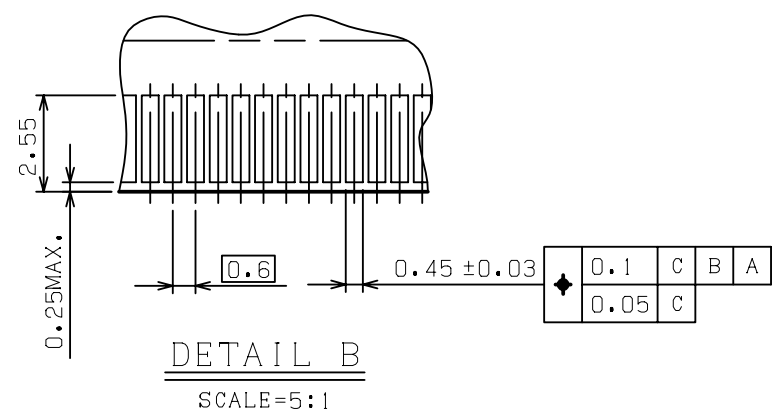
REV.	DESCRIPTION	DATE	DWG.	CHKD
	SEE SHEET 1 OF 3			



推奨基板寸法
RECOMMENDED MOUNTING P.C. BOARD DIM.

推奨基板レイアウト寸法
RECOMMENDED MOUNTAING P.C. BOARD PATTERN LAYOUT DIM.

1.8V	17.55	2.4	2.7
2.5V	18.45	1.5	1.8
POWER SUPPLY	D5	D4	D3



注記: (SHEET 2 に適用)
NOTES: (APPLIED TO SHEET 2)

- 一般公差 ± 0.15
TOLERANCES ON ALL DIMENSION ± 0.15 UNLESS OTHERWISE SPECIFIED.
- 基板厚寸法は、メッキ厚を含む。
P.C. BOARD THICKNESS APPLIES ACROSS TABS AND INCLUDES PLATING AND/OR METALIZATION.
- パット部の仕上げ: ニッケル下地メッキ 0.002MIN. 厚の上に、金メッキ 0.000756MIN. 厚を施す。
FINISH OF PAD: GOLD PLATING 0.00076MIN. OVER Ni PLATING 0.002MIN.

NOTE	FINISH	PART NO.	NAME	NO.
MATERIAL	*****	NET WEIGHT	*****	GENERAL TOLERANCE
FIN. & TREAT	*****	GROSS WEIGHT	2:1	± 0.2 ± 3°
CUSTOMER	*****	PART NO.	CA0410-200N**	UNIT: mm
CUSTOMER PART NO.	*****	PROPOSAL NO.	*****-***-**-**	SIZE
QUASAR TECHNOLOGY		NAME		(SHEET 2 OF 3)
APP. '06.06.22 S. YAMADA		CHKD '06.06.22 T. HASHIMOTO		DDR S.O DIMM SOCKET VERTICAL TYPE
DWG. '06.06.22 M. OKADA		© TYPE A FOR 200PIN DDR S.O DIMM		REV. H

CA0410

(CUSTOMER DRAWING)

6

5

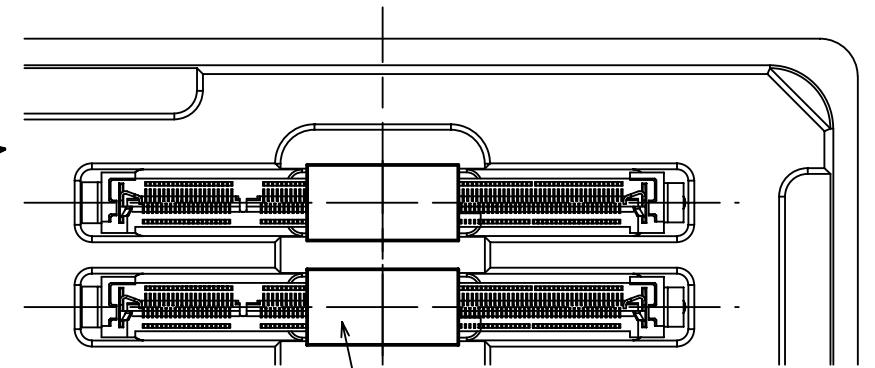
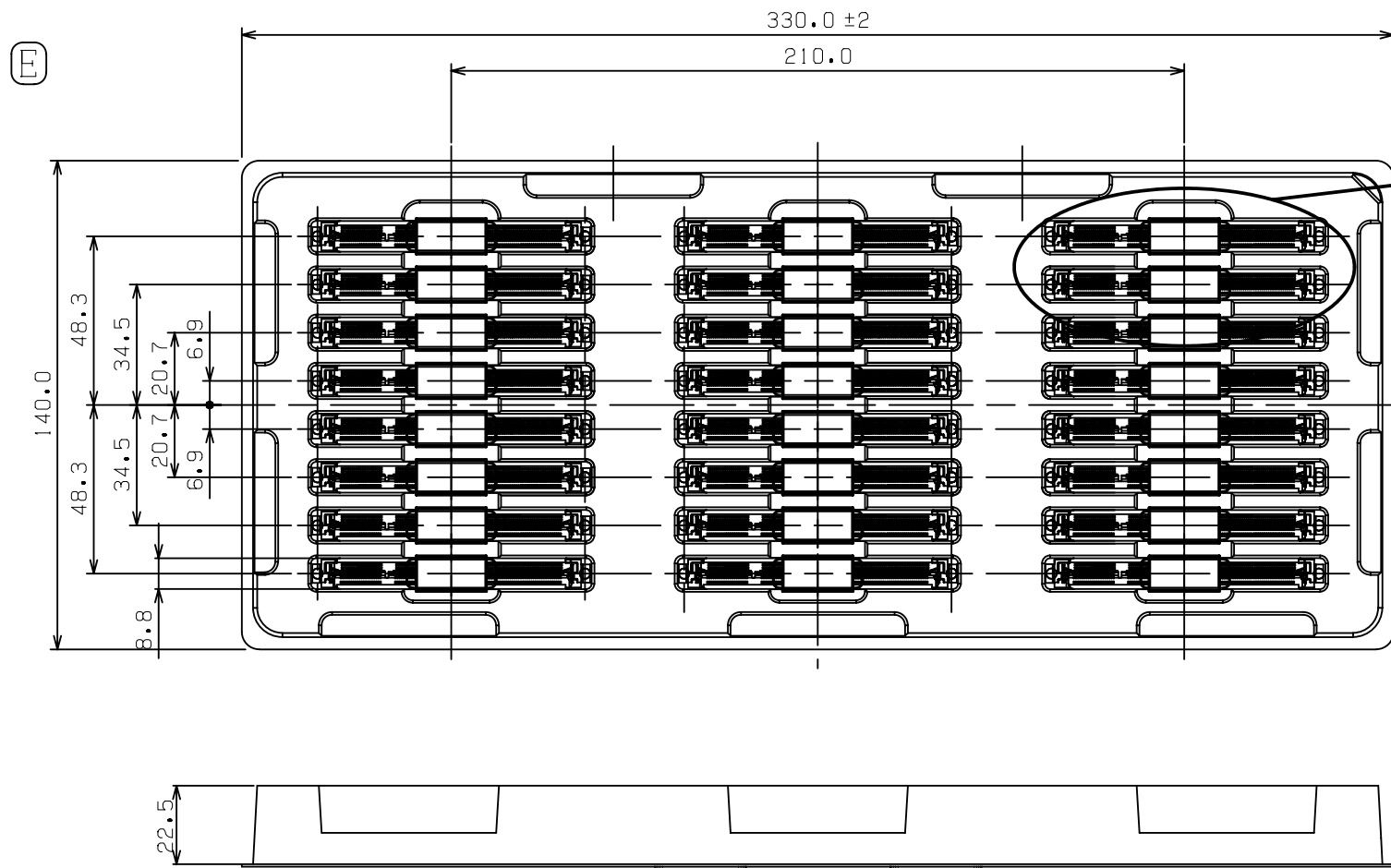
4

3

2

1

REV.	DESCRIPTION	DATE	DWG.	CHKD
	SEE SHEET 1 OF 3			



吸着実装用テープ サイズ: 10x20mm
TAPE, SIZE: 10X20mm

Ⓔ

24	TYPE 2	CA0410-200N02	CA0410-200N32
24	TYPE 1	CA0410-200N01	CA0410-200N31
QTY.	KEY TYPE	PART NO. OF CONNECTOR	PART NO. OF PACKAGED PRODUCT (WITH SOFT TARY)

MATERIAL	*****	NET WEIGHT	***g	COLOR	*****	GENERAL TOLERANCE	±0.2 ±3°	UNIT:mm
FIN.&TREAT	*****	GROSS WEIGHT	***g	SCALE	*/*	SIZE	A3	
CUSTOMER	*****	PART NO.		CA0410-200N**		REV.	H	
CUSTOMER PART NO.	*****	PROPOSAL NO.		****-**-**-**		REV.	*	
QUASAR TECHNOLOGY				NAME				(SHEET 3 OF 3)
APP.	'06.06.22	CHKD	'06.06.22	DWG.	'06.06.22	DDR S.O DIMM SOCKET VERTICAL TYPE		
S.YAMADA		T.HASHIMOTO		M.OKADA		TYPE A FOR 200PIN DDR S.O DIMM		

(CUSTOMER DRAWING)

CA0410

